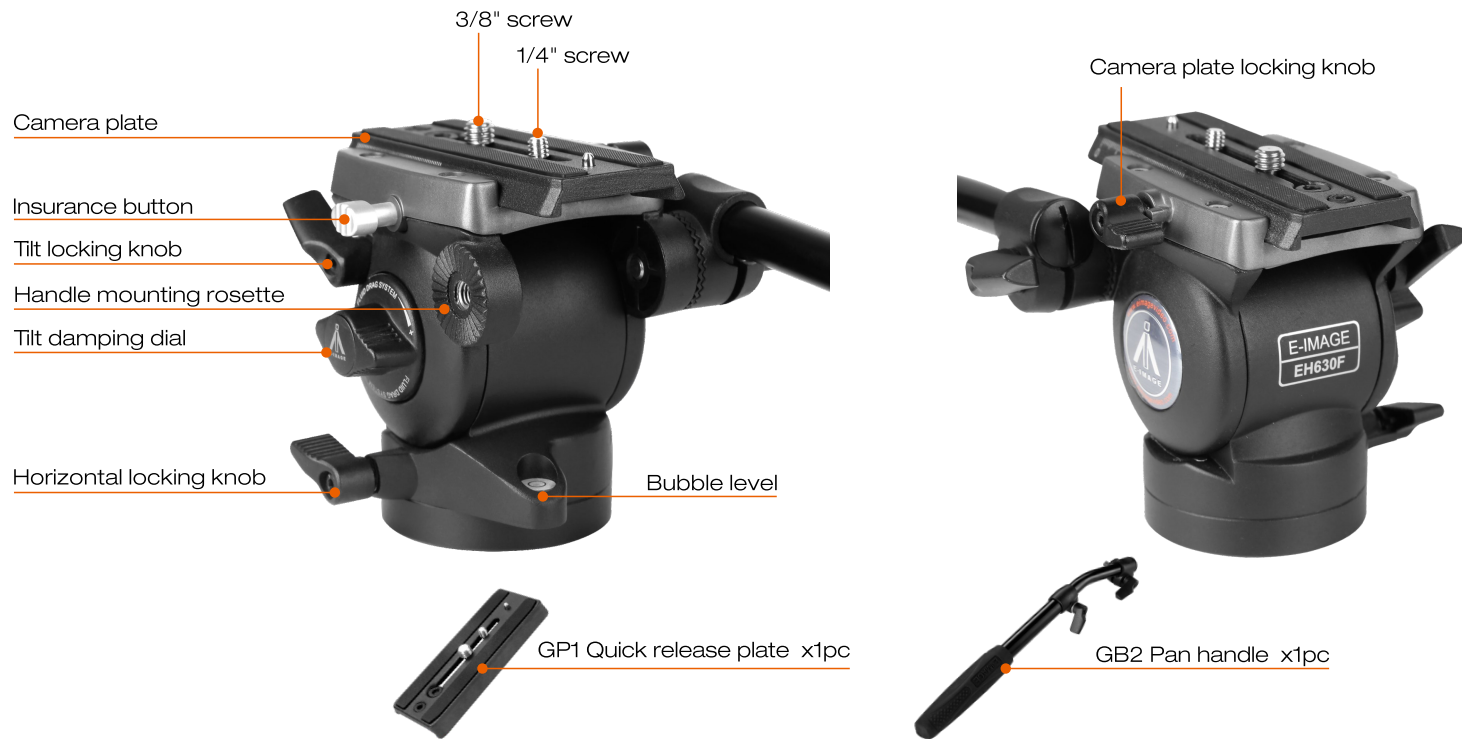


630FH Flat Base Fluid Head

The E-IMAGE 630FH Tripod Head provides smoother shooting, better balance and precise movement. It is designed for any image-making scenario where smooth movement and camera control are at the top of your list of requirements.



Features



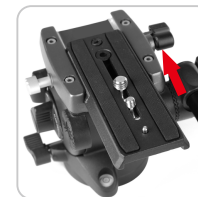
Flat base.



Tilt drag is variable.



A built-in bubble level to assist balancing.



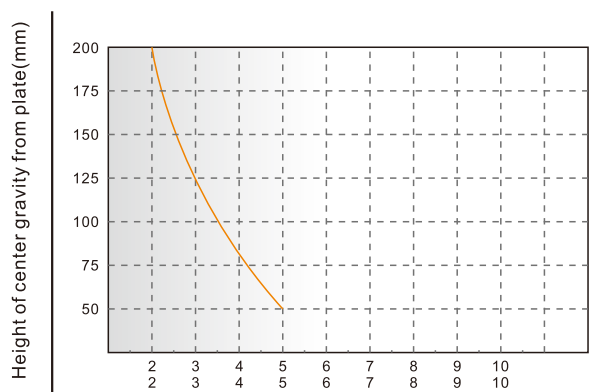
GP1 quick release plate.

Specifications

	Payload	4.0kg / 8.8lbs
	Counterbalance	Fixed
	Grades of pan drag	Fixed
	Grades of tilt drag	Variable

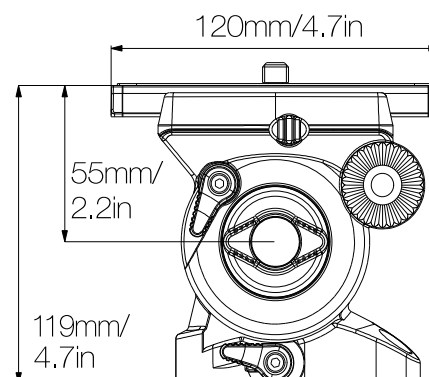
	Tilt range	-50°~+90°
	Temperature range	-40°C~+80°C
	Net weight	1.3kg / 2.9lbs
	Bowl size	Flat base

Counterbalance Graph



Balance Chart

Total Load Kg



Recommend Kit



MA800+630FH



MC800+630FH

Fluid head	630FH	630FH
Tripod	MA800	MC800
Bowl size	Flat base	Flat base
Payload	4kg / 8.8lbs	4kg / 8.8lbs
Counterbalance	Fixed	Fixed
Drag setting	Fixed(pan drag), Variable(tilt drag)	Fixed(pan drag), Variable(tilt drag)
Net weight	2820g / 6.2lbs	2620g / 5.8lbs
Leg material	Aluminum	Carbon fiber
Leg sections	4	4
Height range	80-213cm / 31.5-83.9in	80-213cm / 31.5-83.9in
Transport length	80cm / 31.5in	80cm / 31.5in