



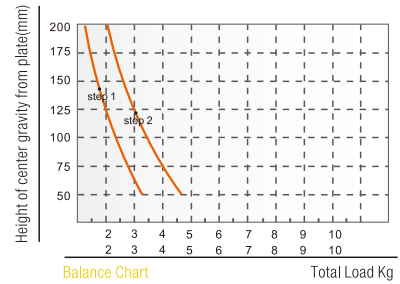
The magic life in the image world

E-IMAGE

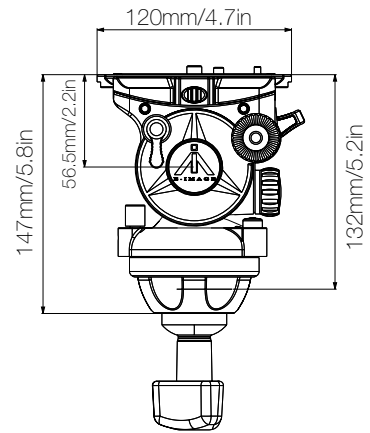
7060H 75mm Fluid Head



COUNTERBALANCE GRAPH



- 75mm
- 8.0kg / 17.6lbs
- 1.9kg / 4.2lbs
- 0-2



FEATURES



Fixed drag for both pan & tilt



2 plus 0 steps of counterbalance



Quick install plate



Bubble level

SPECIFICATIONS

Model	7060H
Payload Range	8.0kg / 17.6lbs
Counterbalance Range	0-2
Grades Of Pan Drag	Fixed
Grades Of Tilt Drag	Fixed
Tilt Range	-45°/+90°
Temperature Range	-30°C~+60°C
Bowl Size	75mm
Net Weight	1.9kg / 4.2lbs