

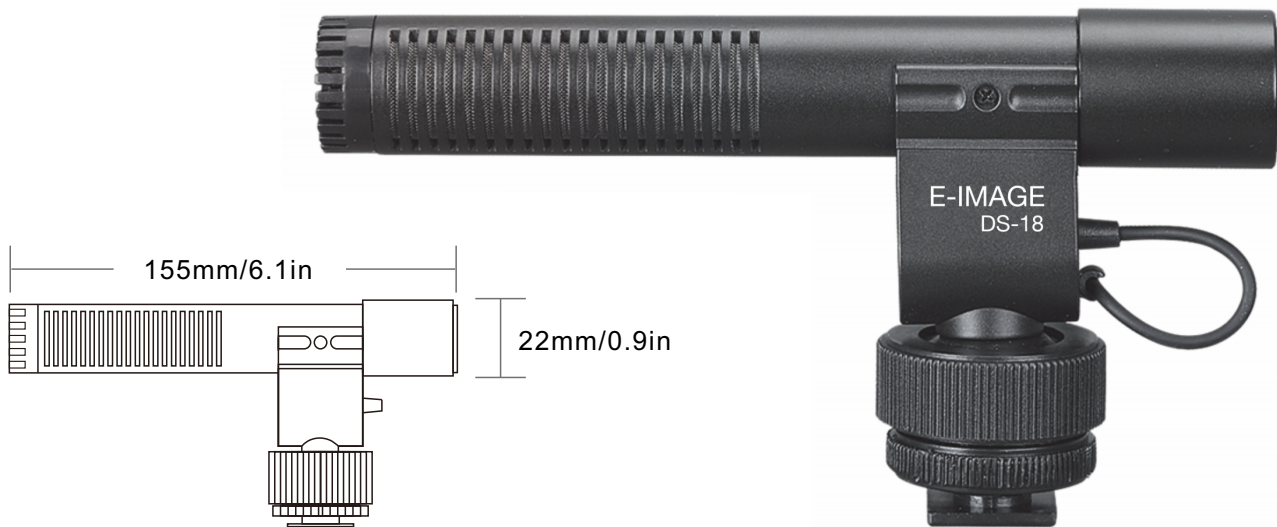


The magic life in the image world

E-IMAGE

DS-18 Hyper-cardioid Condenser Microphone

The E-IMAGE DS-18 lightweight shotgun microphone features hot shoe adapter that mounts directly to your DSLR, mirrorless, or video camera and reduces noise from vibrations and camera handling. The supplied furry windshield minimizes wind noise, making it well suited for outdoor shoots. The detachable coiled 3.5mm TRS cable ensures easy hookup to your camera.



COMPONENT



DS-18 microphone	1pc
Foam windscreen	1pc
Carrying bag	1pc
Safety box	1pc



SPECIFICATIONS

Element	Back Electret Condenser
Polar Pattern	Hyper-cardioid
Frequency Response	40Hz-16kHz
Bass	Built-in
Sensitivity	-39dB±3dB(1dB=1V/Pa at 1kHz)
Output Impedance	≤ 300Ω±20%(at 1kHz)
Max.Input SPL	130dB(T.H.D≤ 1% at 1kHz)
Signal to Noise Ratio	76dB(1kHz at 1Pa)
Power Requirements	DC 3V (CR2,3V)
Weight	170g
Dynamic Range	106dB(1kHz at Max SPL)
Body Dimensions	φ 22×155mm
Output Interface	3.5 Audio Interface

FEATURES

 <p>Hyper-cardioid</p> <p>It built in two sound head with mutually perpendicular and double audio frequency.</p>	 <p>Use 90/120 dual angle radio to collect all/single voice.</p>	 <p>CR2 3V</p> <p>Use lithium battery for long time work, LED low voltage indicator.</p>
 <p>3.5 Audio Interface</p> <p>Configuration 3.5 video pluggable audio output line, used to connect the camera and microphone, better capture when shooting, easy to carry.</p>	 <p>Foam windscreen with high purity anti-spray sound, soft touch. Easy to clean and not deformed and other functions.</p>	 <p>Aluminum</p> <p>Silastic/ Silicon rubber</p> <p>Rugged housing made of lightweight aluminum & silastic / silicon rubber.</p>