

## E-2816

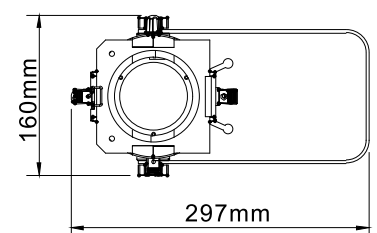
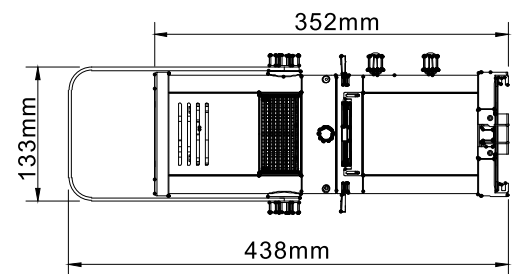
E-IMAGE LED studio profile spot light is a new product with significant improvement and performance, and the quality of application and technology. Silent operation, small volume, aluminum housing, long life, super performance, well suited for stage, studio, broadcasting, museums, and more.



Power Supply	AC 100V-240V, 50/60Hz
Power Consumption	50W
Color Temperature	3000k / 5700k
Luminous Flux	3440lm-4158lm
CRI	≥93Ra
LED Life	>50000H
Zoom	Variable
Different lens available	19°-36°
Cooling System	High quality radiator
Control Mode	The device can be connected to the signal receiver, to achieve DMX512 signal control
Protection Grade	IP 20
Use Environment Temperature	-20°C-45°C
Net Weight	2.9kg/ 6.4lbs
Gross Weight	3.6kg/ 7.9lbs
Box Dimensions (LxWxH)	438x160x160mm/ 17.2x6.3x6.3in

## E-6PDC

Signal Receiver (Optional)

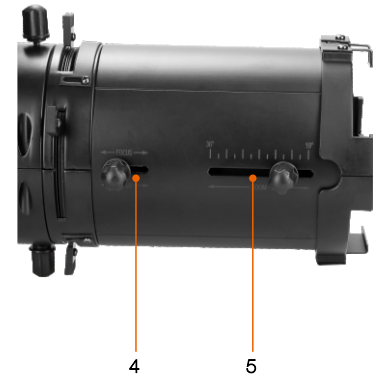


Installed on the device with two random screws.  
 DMX512 control mode of international standards.  
 2 DMX control channels. Manual dimmer.  
 IP20.  
 Use environment temperature: -20°C-45°C.  
 Net Weight: 0.2Kg/0.44lbs.

| **E-2816** |



- 1.Yoke
- 2.Locking Knob
- 3.LED Beads
- 4.Focus
- 5.Zoom



- 6.DMX512 Input
- 7.Power Input
- 8.Fuse
- 9.Power Output
- 10.ON / OFF

**What's included:**



- ① LED Studio Profile Spot Light
- ② Gobo Holder
- ③ Color Frame
- ④ 3-Pin Male to Female XLR DMX Cable
- ⑤ AC Power Cable
- ⑥ Waterproof Cable Connector