

EG03FA3 Video Tripod System

The EG03FA3 tripod kit is designed for vertical reach. The rising center column, combined with the GH03F fluid video head, max height 243CM. The EG03FA3 gives the user the elevation they need for high-angle shots and shooting over crowds.



SC-3 Carry bag

Full padded portable carrying bag providing good protection during movement.

Specifications:

Payload	5.0kg / 11.0lbs
Height range	97.0-243.0cm / 38.2-95.7in
Transport length	102.0cm / 40.2in
Net weight	6.0kg / 13.2lbs
Bowl size	Flat base

What's included:

Head	GH03F
Tripod	GA230
Packing	SC-3 Carry bag

GH03F Flat Base Fluid Head

The E-Image GH03F fluid head with flat base supports cameras and accessories weighing up to 5kg (11lbs). With flat base, the head is designed to use with flat-base tripods and fit sliders, skate dollies and other equipments. With standard 1/4" and 3/8" screw holes on the sides, monitor arms and other accessories can be installed on it. The pan handle can be attached to rosette adapters on the left or right side of the head.



Features



Flat base.



Continuous adjustable of tilt drag.



GP1 quick release plate.



A built-in bubble level to assist balancing.



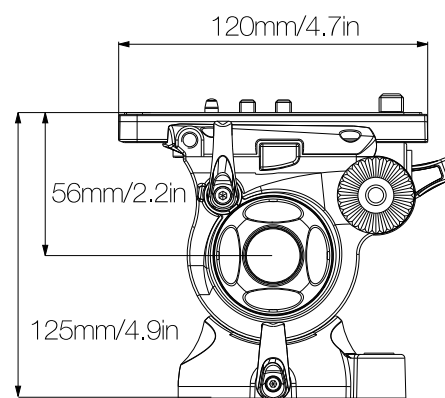
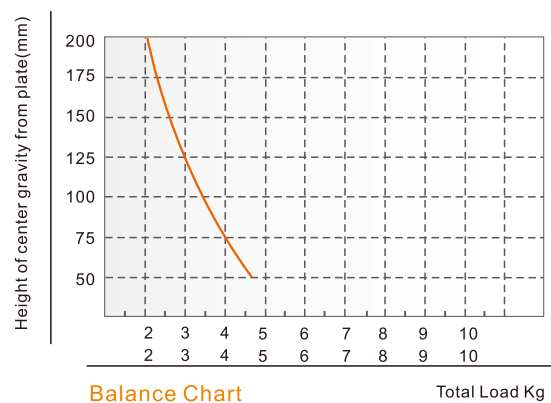
Additional 1/4"-20 screw hole for articulating accessories.

Specifications

	Payload	5.0kg / 11.0lbs
	Counterbalance	Fixed
	Grades of pan drag	Fixed
	Grades of tilt drag	Continuous adjustable

	Tilt range	-80°~+90°
	Temperature range	-40°C~+80°C
	Net weight	1.2kg / 2.6lbs
	Bowl size	Flat base

Counterbalance Graph



GA230 Pro Geared Video Tripod

The E-IMAGE GA230 tripod with geared center column is extremely solid and wobble free. Geared center column provides extra height if you need to get your camera high up, filming sports or events. It includes built-in bubble level, rubber feet with retractable spikes can be used on uneven ground. A mid-level spreader and a padded carrying case are included with the tripod.



Flat base.



Parking holes for accessories.
(Monitor, LED light.....)



High quality aluminum tube.



With Geared adjustable center column, the max height of tripod can reach up to 2.3m.



Super locking structure, the ergonomic design allows for quick height adjustments.



Adjustable tripod feet to meet different ground conditions.

Specifications:

Payload	12.0kg / 26.4lbs
Height range	84.0-230.0cm / 33.1-90.6in
Transport length	89.0cm / 35.0in
Net weight	4.8kg / 10.6lbs
Bowl size	Flat base
Sections	3
Material	Aluminum



Tripod belt



ST-1 Stone bag

Recommend accessories



EI-7003C Dolly