

EG04FA3 Video Tripod System

The EG04FA3 tripod kit is designed for vertical reach. The rising center column, combined with the GH04F fluid video head, max height 244cm. The EG04FA3 gives the user the elevation they need for high-angle shots and shooting over crowds.



SC-3 Carry bag

Full padded portable carrying bag providing good protection during movement.

Specifications:

Payload	6.0kg / 13.2lbs
Height range	98.0-244.0cm / 38.6-96.1in
Transport length	103.0cm / 40.6in
Net weight	6.1kg / 13.4lbs
Bowl size	Flat base

What's included:

Head	GH04F
Tripod	GA230
Packing	SC-3 Carry bag

GH04F Flat Base Fluid Head

GH04F fluid head with flat base supports cameras and accessories weighing up to 6kg (13.2lbs). The GH04F head features an Easy Lock Base plate system that combines the balance adjustment of a sliding base plate with the ease of a quick release system. It provides a fixed counterbalance setting that helps the fluid head support loads up to 6kg (13.2lbs) and won't force you to fight the head when working with lightweight camera systems.



Features



Flat base.



Fixed pan & tilt drag for smooth movement.



GP1 quick release plate.



A built-in bubble level to assist balancing.



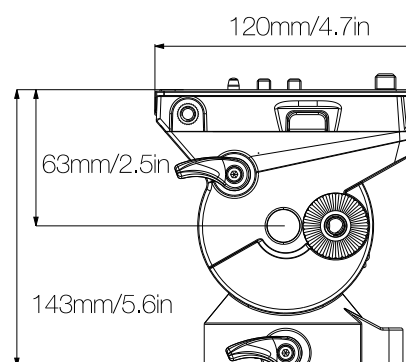
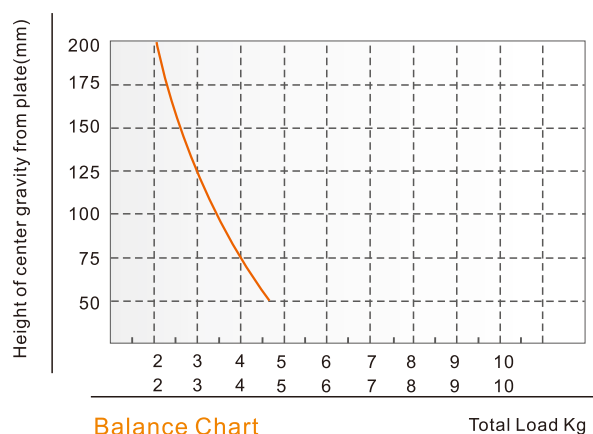
Additional 1/4"-20 screw hole for articulating accessories.

Specifications

	Payload	6.0kg / 13.2lbs
	Counterbalance	Fixed
	Grades of pan drag	Fixed
	Grades of tilt drag	Fixed

	Tilt range	-75°~+90°
	Temperature range	-40°C~+80°C
	Net weight	1.6kg / 3.5lbs
	Bowl size	Flat base

Counterbalance Graph



GA230 Pro Geared Video Tripod

The E-IMAGE GA230 tripod with geared center column is extremely solid and wobble free. Geared center column provides extra height if you need to get your camera high up, filming sports or events. It includes built-in bubble level, rubber feet with retractable spikes can be used on uneven ground. A mid-level spreader and a padded carrying case are included with the tripod.



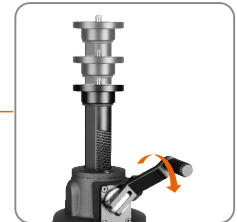
Flat base.



Parking holes for accessories.
(Monitor, LED light.....)



High quality aluminum tube.



With Geared adjustable center column, the max height of tripod can reach up to 2.3m.



Super locking structure, the ergonomic design allows for quick height adjustments.



Adjustable tripod feet to meet different ground conditions.

Specifications:

Payload	12.0kg / 26.4lbs
Height range	84.0-230.0cm / 33.1-90.6in
Transport length	89.0cm / 35.0in
Net weight	4.8kg / 10.6lbs
Bowl size	Flat base
Sections	3
Material	Aluminum



Tripod belt



ST-1 Stone bag

Recommend accessories



EI-7003C Dolly