

EG10C2 Video Tripod System

E-Image 2-stage carbon fiber tripod with GH10 head supports cameras and accessories weighing up to 10kg (22lbs). It includes a GH10 fluid head, a GC752 two stages carbon fiber legs, and a GS01 mid-level spreader. The head and legs feature a 75mm ball/bowl. The tripod extends to a height of 171cm and collapses down as low as 77.5cm. A kit bag is included.



T10 Carry bag

Full padded portable carrying bag providing good protection during movement.

Specifications:

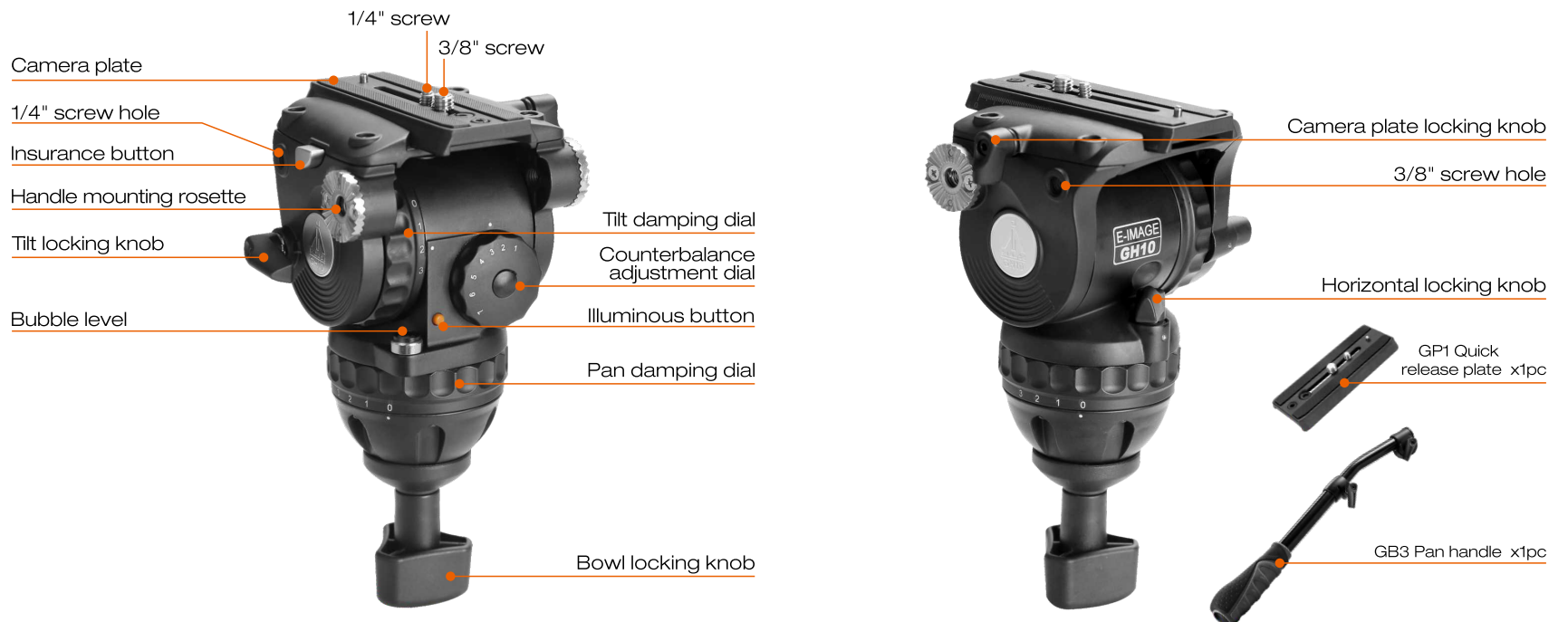
Payload	10.0kg / 22.0lbs
Height range	77.5-171.0cm / 30.5-67.3in
Transport length	86.0cm / 33.9in
Net weight	5.3kg / 11.7lbs
Bowl size	75mm

What's included:

Head	GH10
Tripod	GC752
Packing	T10 Carry bag

GH10 75mm Fluid Head

With its 10kg (22lbs) capacity and compact size, the GH10 head is ideal designed for supporting handheld size of DV, DVCAM, HVX and HDV camcorders. It features a sliding balance plate system for attaching the camera to the head. It provides 7 counterbalance settings. With three fluid drag grades plus a zero setting on both pan and tilt, you can adjust the fluid head to suit your shooting style or the needs of the shot. The head features a built in 1/4"-20 & 3/8"-16 accessory socket for available monitor support arms or other accessory items. it has self-illuminated touch bubbles for easy leveling in poor light conditions. With standard 75mm bowl, the heads could be equipped with all 75mm bowl size legs.



Features



0-3 grades of pan & tilt drag for smooth movement.



1-7 grades of counterbalance for perfect balance.



A built-in illuminated bubble level to assist balancing in darkness (automatic delay off).



GP1 quick release plate



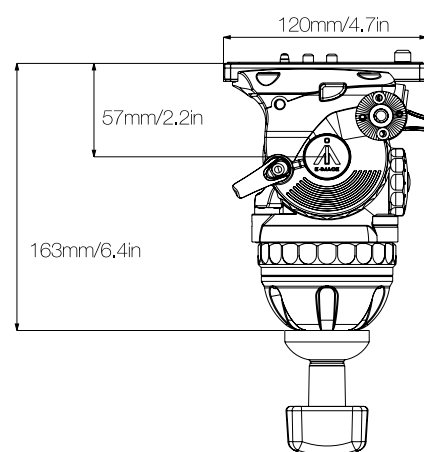
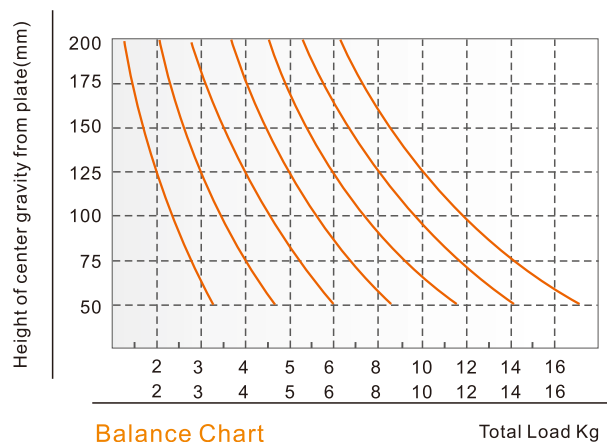
Additional 1/4"-20 & 3/8"-16 screw hole for articulating accessories.

Specifications

	Payload	4.0-10.0kg / 8.8-22.0lbs
	Counterbalance	1-7
	Grades of pan drag	0-3
	Grades of tilt drag	0-3

	Tilt range	-60°~+90°
	Temperature range	-40°C~+80°C
	Net weight	2.2kg / 4.9lbs
	Bowl size	75mm

Counterbalance Graph



GC752 75mm Video Tripod

The E-IMAGE GC752 two stages carbon fiber tripod supports a payload weighing up to 88lbs. It is made of lightweight carbon fiber has a 75mm bowl and the legs are a twin tube design with two stages. The Mono-Lock feature allows for quick height adjustments of both stages with one twist. An adjustable mid-level spreader provides extra security and stability.



75mm bowl size.

40 kg
Payload

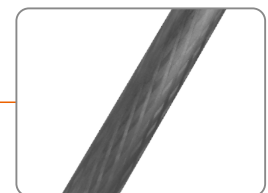


Ergonomic hand locking knob.



1 Lock 2

The Mono-Lock feature allows for quick height adjustments of both stages with one twist.



High quality carbon fiber tube.



Adjustable middle spreader adding extra stability.



Spike foot & big rubber are both available.

Specifications:

Payload	40.0kg / 88.0lbs
Height range	63.5-157.0cm / 25.0-61.8in
Transport length	72.0cm / 28.3in
Net weight	3.2kg / 7.0lbs
Bowl size	75mm
Sections	3
Material	Carbon fiber

Recommend accessories



GS02 Ground spreader



EI-7004 Dolly



EI-7004B Dolly



EI-7004C Dolly