

EG10C2L Video Tripod System

E-Image 2-stage carbon fiber tripod with GH10L head supports cameras and accessories weighing up to 10kg (22lbs). It includes a GH10L fluid head, a GC102 two stages carbon fiber legs, and a GS02 ground spreader. The head and legs feature a 100mm ball/bowl. The tripod extends to a height of 173.5cm and collapses down as low as 60.5cm. A kit bag is included.



T20 Carry bag

Full padded portable carrying bag providing good protection during movement.

Specifications:

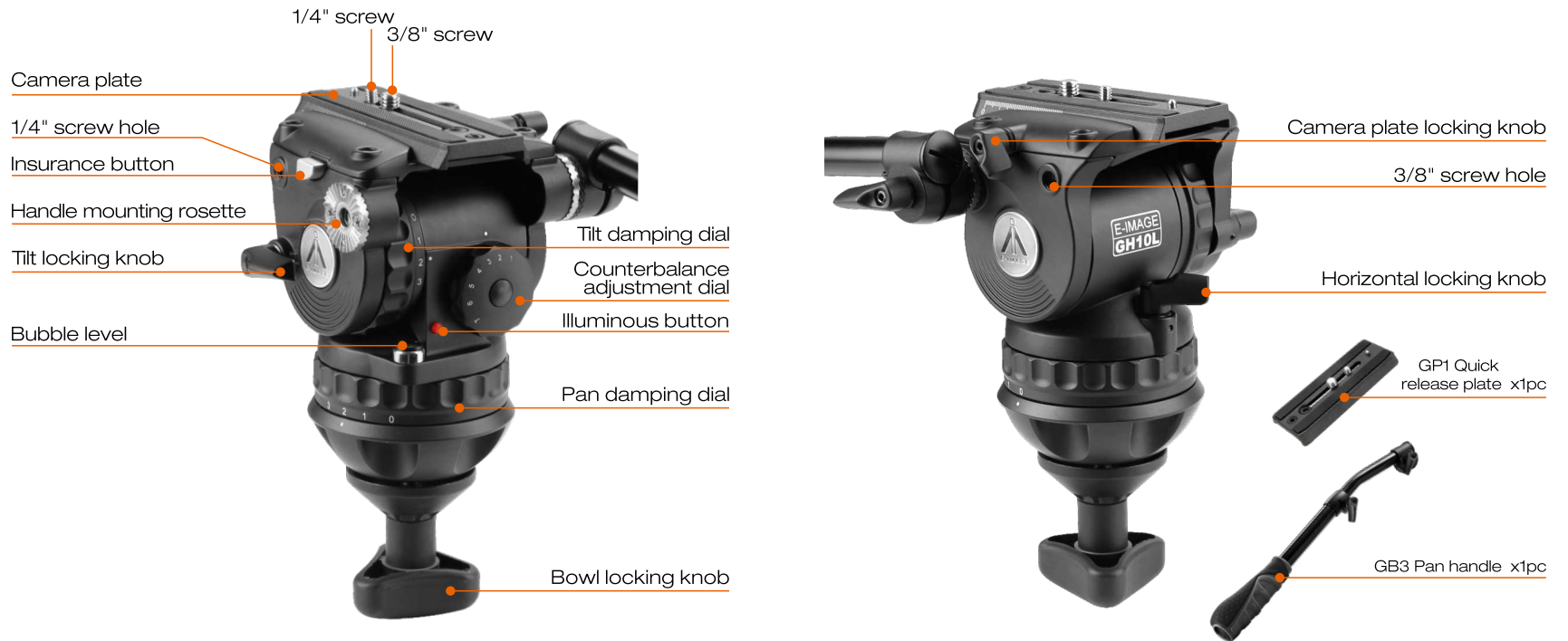
Payload	10kg / 22.0lbs
Height range	60.5-173.5cm / 23.8-68.3in
Transport length	87.5cm / 34.4in
Net weight	6.9kg / 15.2lbs
Bowl size	100mm

What's included:

Head	GH10L
Tripod	GC102
Packing	T20 Carry bag

GH10L 100mm Fluid Head

With its 10kg (22lbs) capacity and compact size, the GH10L head is ideal designed for supporting handheld size of DV, DVCAM, HVX and HDV camcorders. It features a sliding balance plate system for attaching the camera to the head. It provides 7 counterbalance settings. With three fluid drag grades plus a zero setting on both pan and tilt, you can adjust the fluid head to suit your shooting style or the needs of the shot. The head features a built in 1/4"-20 & 3/8"-16 accessory socket for available monitor support arms or other accessory items. it has self-illuminated touch bubbles for easy leveling in poor light conditions. With standard 100mm bowl, the heads could be equipped with all 100mm bowl size legs.



Features



0-3 grades of pan & tilt drag for smooth movement.



1-7 grades of counterbalance for perfect balance.



A built-in illuminated bubble level to assist balancing in darkness (automatic delay off).



GP1 quick release plate



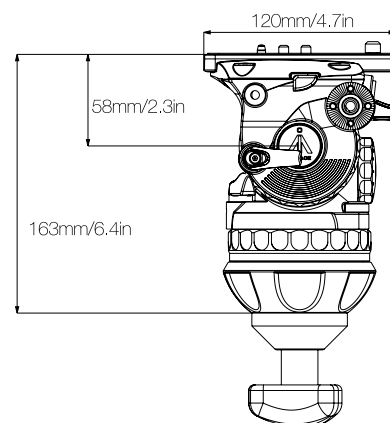
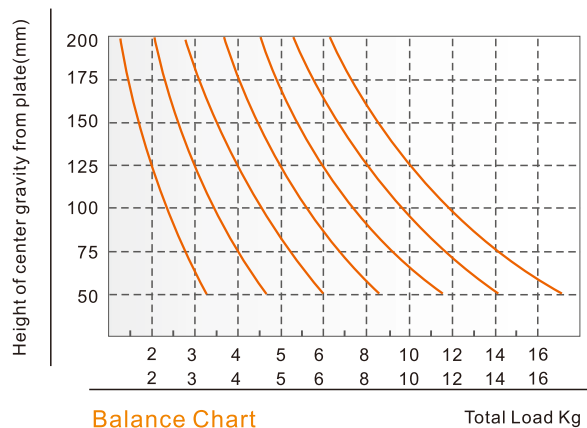
Additional 1/4"-20 & 3/8"-16 screw hole for articulating accessories.

Specifications

	Payload	4.0-10.0kg / 8.8-22.0lbs
	Counterbalance	1-7
	Grades of pan drag	0-3
	Grades of tilt drag	0-3

	Tilt range	-60°~+90°
	Temperature range	-40°C~+80°C
	Net weight	2.5kg / 5.5lbs
	Bowl size	100mm

Counterbalance Graph



GC102 100mm Video Tripod

The GC102 2-stage carbon fiber tripod supports a payload weighing up to 60kg (132lbs). It is made of lightweight carbon fiber, has a 100mm bowl, and the legs are a twin tube design with two stages. The tripod can be adjusted to a maximum height of 160cm and a minimum height of 47cm with a folded length of 74cm. The Mono-Lock feature allows for quick height adjustments of both stages with one twist. An adjustable floor spreader provides extra security and stability.



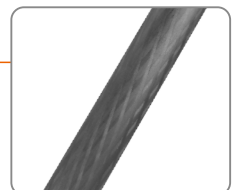
100mm bowl size.



Ergonomic hand locking knob.



The Mono-Lock feature allows for quick height adjustments of both stages with one twist.



High quality carbon fiber tube.



Adjustable ground spreader adding extra stability.



Dual spiked feet provide stability for working on soft or irregular surfaces.

Specifications:

Payload	60.0kg / 132.0lbs
Height range	47.0-160.0cm / 18.5-63.0in
Transport length	74.0cm / 29.1in
Net weight	4.4kg / 9.7lbs
Bowl size	100mm
Sections	3
Material	Carbon fiber

Recommend accessories



GS01 Middle spreader



F3 Rubber feet



EI-7004 Dolly



EI-7004B Dolly



EI-7004C Dolly