

## EG15A2 Video Tripod System

E-Image 2-stage aluminum tripod with GH15 head supports cameras and accessories weighing up to 18kg (39.7lbs). It includes a GH15 fluid head, a GA102 two stages aluminum legs, and a GS02 ground spreader. The head and legs feature a 100mm ball/bowl, which provides a wide support platform. The tripod extends to a height of 177.5cm and collapses down as low as 64.5cm. A kit bag is included.



**T20** Carry bag

Full padded portable carrying bag providing good protection during movement.

### Specifications:

Payload	18.0kg / 39.7lbs
Height range	64.5-177.5cm / 25.4-69.9in
Transport length	91.5cm / 36.0in
Net weight	8.9kg / 19.6lbs
Bowl size	100mm

### What's included:

Head	GH15
Tripod	GA102
Packing	T20 Carry bag

## GH15 100mm Fluid Head

With 15kg (33lbs) capacity, the EIMAGE GH15 fluid head is a ideal choice for the professional videographers utilizing heavy camcorders who requires the smoothest pan and tilt as well as rapid setup. It features 9 steps (0-9) counterbalance system with a sliding plate for perfect balance, and 5 steps of drag plus zero in both pan and tilt. The head features a built in 1/4"-20 accessory socket for available monitor support arms or other accessory items. it has self-illuminated touch bubbles for easy leveling in poor light conditions. With standard 100mm bowl, the heads could be equipped with all 100mm bowl size legs.



### Features



0-5 grades of pan & tilt drag for smooth movement.



0-9 grades of counterbalance for perfect balance.



A built-in illuminated bubble level to assist balancing in darkness (automatic delay off).



GP2 quick release plate with an extra 145mm (5.7in) sliding range.



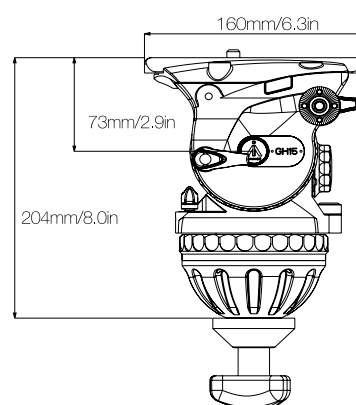
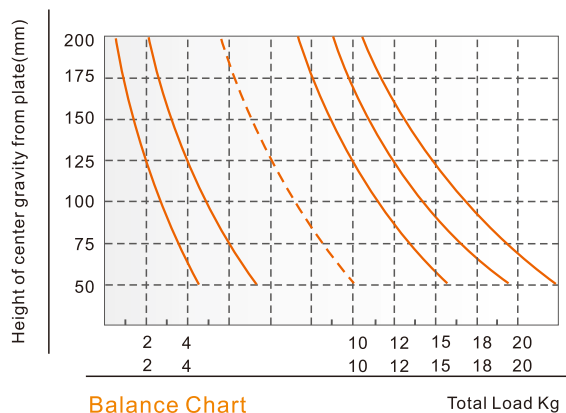
Additional 1/4"-20 & 3/8"-16 screw hole for articulating accessories.

### Specifications

	Payload	0-18.0kg / 0-39.7lbs
	Counterbalance	0-9
	Grades of pan drag	0-5
	Grades of tilt drag	0-5

	Tilt range	-75°~+90°
	Temperature range	-40°C~+80°C
	Net weight	3.8kg / 8.4lbs
	Bowl size	100mm

### Counterbalance Graph



## GA102 100mm Video Tripod

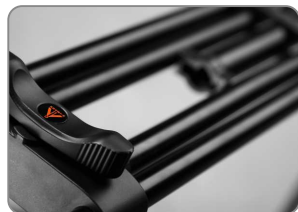
The GA102 2-stage aluminum tripod supports a payload weighing up to 60kg (132lbs). It is made of lightweight aluminum, has a 100mm bowl, and the legs are a twin tube design with two stages. The tripod can be adjusted to a maximum height of 160cm and a minimum height of 47cm with a folded length of 74cm. The Mono-Lock feature allows for quick height adjustments of both stages with one twist. An adjustable floor spreader provides extra security and stability.



100mm bowl size.



Ergonomic hand locking knob.



The Mono-Lock feature allows for quick height adjustments of both stages with one twist.



High quality aluminum tube.



Adjustable ground spreader adding extra stability.



Dual spiked feet provide stability for working on soft or irregular surfaces.

### Specifications:

Payload	60.0kg / 132.0lbs
Height range	47.0-160.0cm / 18.5-63.0in
Transport length	74.0cm / 29.1in
Net weight	5.1kg / 11.2lbs
Bowl size	100mm
Sections	3
Material	Aluminum

### Recommend accessories



**GS01** Middle spreader



**F3** Rubber feet



**EI-7004** Dolly



**EI-7004B** Dolly