

EG15C Video Tripod System

E-Image 1-stage carbon fiber tripod with GH15 Head supports cameras and accessories weighing up to 18kg (39.7lbs). It includes a GH15 fluid head, a GC101 one stage carbon fiber legs, and a GS02 ground spreader. The head and legs feature a 100mm ball/bowl, which provides a wide support platform. The tripod extends to a height of 158cm and collapses down as low as 81cm. A kit bag is included.



T30 Carry bag

Full padded portable carrying bag providing good protection during movement.

Specifications:

Payload	18.0kg / 39.7lbs
Height range	81-158cm / 31.9-62.2in
Transport length	102.5cm / 40.4in
Net weight	7.7kg / 16.9lbs
Bowl size	100mm

What's included:

Head	GH15
Tripod	GC101
Packing	T30 Carry bag

GH15 100mm Fluid Head

With 15kg (33lbs) capacity, the EIMAGE GH15 fluid head is a ideal choice for the professional videographers utilizing heavy camcorders who requires the smoothest pan and tilt as well as rapid setup. It features 9 steps (0-9) counterbalance system with a sliding plate for perfect balance, and 5 steps of drag plus zero in both pan and tilt. The head features a built in 1/4"-20 accessory socket for available monitor support arms or other accessory items. it has self-illuminated touch bubbles for easy leveling in poor light conditions. With standard 100mm bowl, the heads could be equipped with all 100mm bowl size legs.



Features



0-5 grades of pan & tilt drag for smooth movement.



0-9 grades of counterbalance for perfect balance.



A built-in illuminated bubble level to assist balancing in darkness (automatic delay off).



GP2 quick release plate with an extra 145mm (5.7in) sliding range.



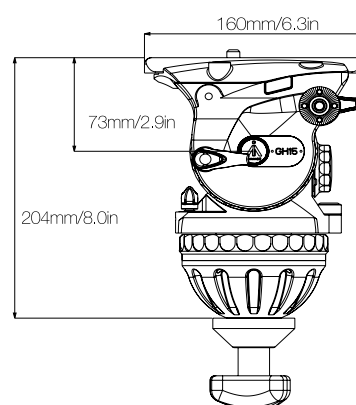
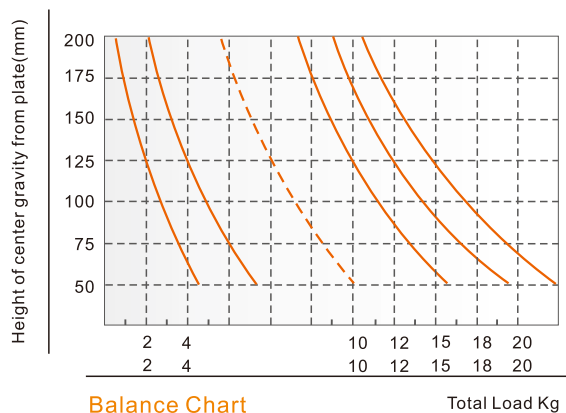
Additional 1/4"-20 & 3/8"-16 screw hole for articulating accessories.

Specifications

	Payload	0-18.0kg / 0-39.7lbs
	Counterbalance	0-9
	Grades of pan drag	0-5
	Grades of tilt drag	0-5

	Tilt range	-75°~+90°
	Temperature range	-40°C~+80°C
	Net weight	3.8kg / 8.4lbs
	Bowl size	100mm

Counterbalance Graph



GC101 100mm Video Tripod

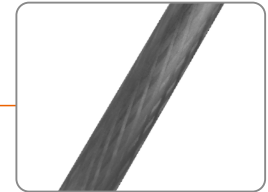
The GC101 single-stage carbon fiber tripod supports a payload weighing up to 60kg (132lbs). It is made of lightweight carbon fiber, has a 100mm bowl. The tripod can be adjusted to a maximum height of 140.5cm and a minimum height of 63.5cm with a folded length of 85cm. The Mono-Lock feature allows for quick height adjustments of both stages with one twist. An adjustable floor spreader provides extra security and stability.



100mm bowl size.



Ergonomic hand locking knob.



High quality carbon fiber tube.



Adjustable ground spreader adding extra stability.



Dual spiked feet provide stability for working on soft or irregular surfaces.



Specifications:

Payload	60.0kg / 132.0lbs
Height range	63.5-140.5cm / 25.0-55.3in
Transport length	85cm / 33.5in
Net weight	3.9kg / 8.6lbs
Bowl size	100mm
Sections	2
Material	Carbon fiber

Recommend accessories



GS01 Middle spreader



F3 Rubber feet



EI-7004 Dolly



EI-7004B Dolly