

EG20A Video Tripod System

E-Image 1-stage aluminum tripod with GH20 head supports cameras and accessories weighing up to 20kg (44lbs). It includes a GH20 fluid head, a GA101 one stage aluminum legs and a GS02 ground spreader. The head and legs feature a 100mm ball/bowl, which provides a wide support platform. The tripod extends to a height of 156cm and collapses down as low as 79cm. A kit bag is included.



T30 Carry bag

Full padded portable carrying bag providing good protection during movement.

Specifications:

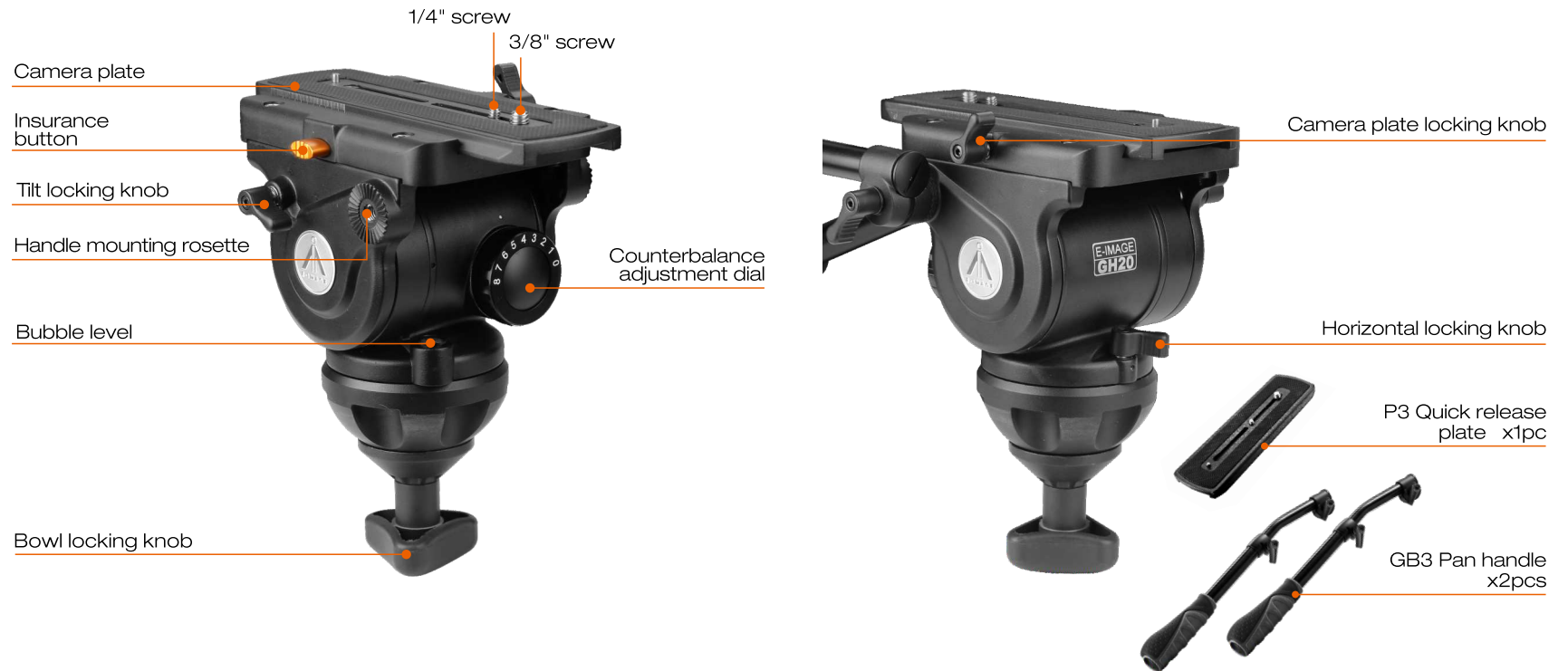
Payload	20.0kg / 44.0lbs
Height range	79-156cm / 31.1-61.4in
Transport length	100.5cm / 39.6in
Net weight	8.4kg / 18.5lbs
Bowl size	100mm

What's included:

Head	GH20
Tripod	GA101
Packing	T30 Carry bag

GH20 100mm Fluid Head

The GH20 is strength, durability and smooth fluid action have been combined in a simple-to operate fluid head, offers the widest range and heaviest drag in its class. GH20 incorporating fixed and 0-8 positions counterbalance adjustment and equipped with sliding plate, is suitable for outdoor photography and broadcasting.



Features



Fixed pan & tilt drag for smooth movement.



0-8 grades of counterbalance for perfect balance.



A built-in bubble level to assist balancing.



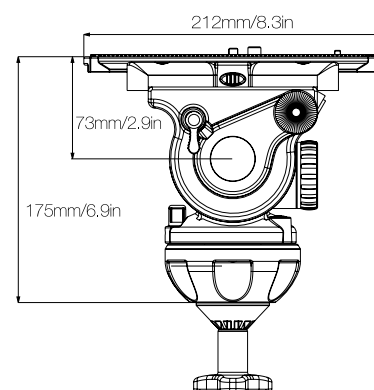
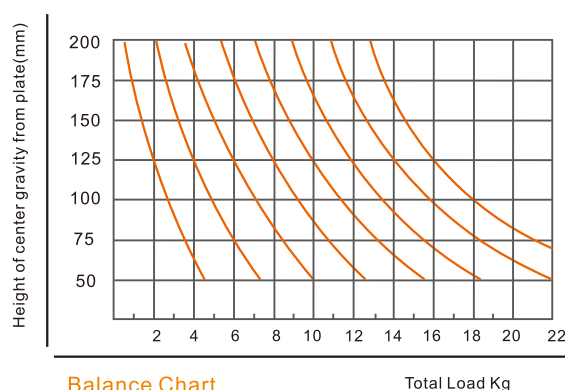
P3 quick release plate with an extra 200mm (7.9in) sliding range.

Specifications

	Payload	20.0kg / 44.0lbs
	Counterbalance	0-8
	Grades of pan drag	Fixed
	Grades of tilt drag	Fixed

	Tilt range	-50°~+90°
	Temperature range	-30°C~+60°C
	Net weight	3.5kg / 7.7lbs
	Bowl size	100mm

Counterbalance Graph



GA101 100mm Video Tripod

The GA101 single-stage aluminum tripod supports a payload weighing up to 60kg (132lbs). It is made of lightweight aluminum, has a 100mm bowl. The tripod can be adjusted to a maximum height of 140.5cm and a minimum height of 63.5cm with a folded length of 85cm. The Mono-Lock feature allows for quick height adjustments of both stages with one twist. An adjustable floor spreader provides extra security and stability.



100mm bowl size.

60 kg
Payload



Ergonomic hand locking knob.



High quality aluminum tube.



Adjustable ground spreader adding extra stability.



Dual spiked feet provide stability for working on soft or irregular surfaces.



Specifications:

Payload	60.0kg / 132.0lbs
Height range	63.5-140.5cm / 25.0-55.3in
Transport length	85cm / 33.5in
Net weight	4.5kg / 9.9lbs
Bowl size	100mm
Sections	2
Material	Aluminum

Recommend accessories



GS01 Middle spreader



F3 Rubber feet



EI-7004 Dolly



EI-7004B Dolly