

EG25C2 Video Tripod System

E-Image 2-stage carbon fiber tripod with GH25 head supports cameras and accessories weighing up to 28kg (61.7lbs). It includes a GH25 fluid head, a GC102 two stages carbon fiber legs, and a GS02 ground spreader. The head and legs feature a 100mm ball/bowl, which provides a wide support platform. The tripod extends to a height of 175.5cm and collapses down as low as 62.5cm. A kit bag is included.



T20 Carry bag

Full padded portable carrying bag providing good protection during movement.

Specifications:

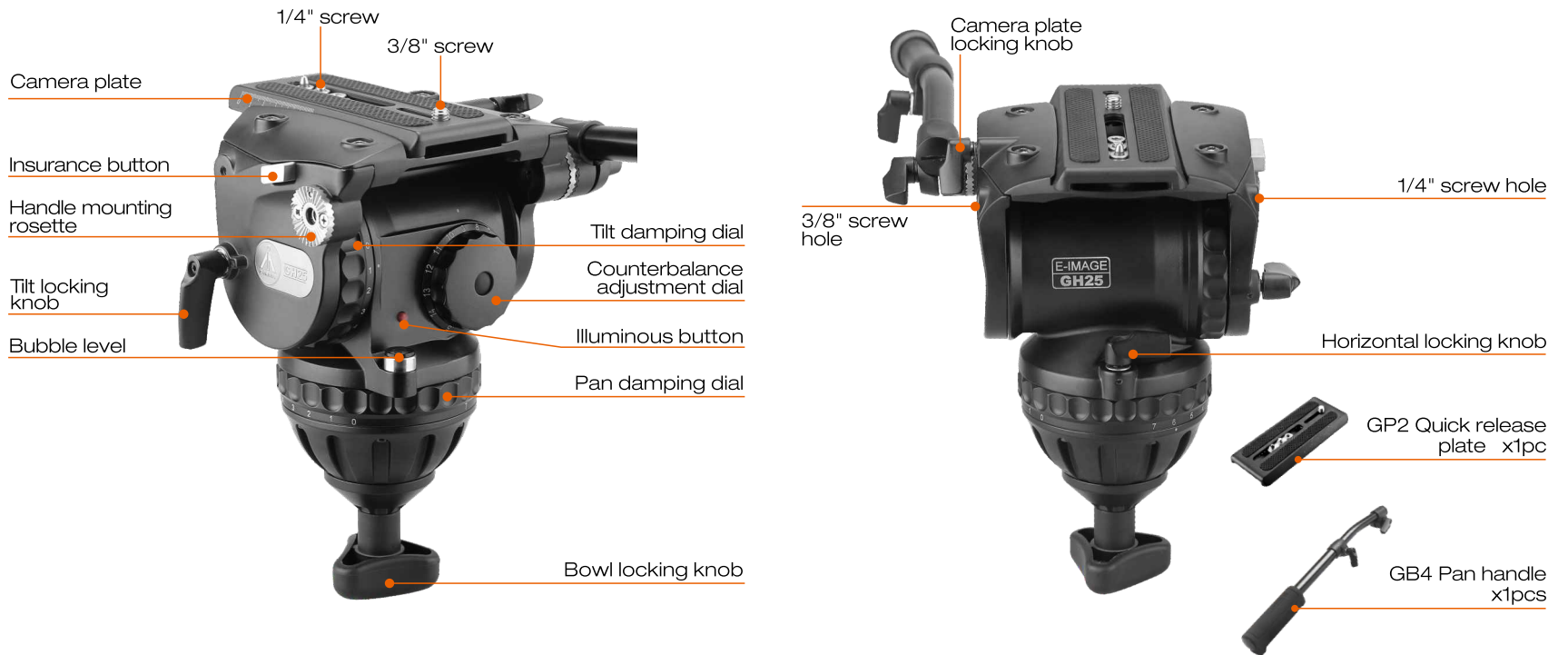
Payload	28.0kg / 61.7lbs
Height range	62.5-175.5cm / 24.6-69.1in
Transport length	89.5cm / 35.2in
Net weight	8.6kg / 18.9lbs
Bowl size	100mm

What's included:

Head	GH25
Tripod	GC102
Packing	T20 Carry bag

GH25 100mm Fluid Head

The GH25 fluid head features 15 steps (1-15) counterbalance system with a 70mm (2.8in) sliding plate for perfect balance, and 8 steps (0-7) drag in both pan and tilt for smooth movement. A built-in illuminated bubble level to assist balancing in darkness and extendable dual panhandles are included.



Features



0-7 grades of pan & tilt drag for smooth movement.



1-15 grades of counterbalance for perfect balance.



A built-in illuminated bubble level to assist balancing in darkness (automatic delay off).



GP2 quick release plate with an extra 145mm (5.7in) sliding range.



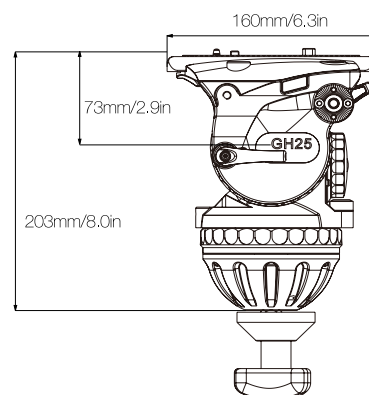
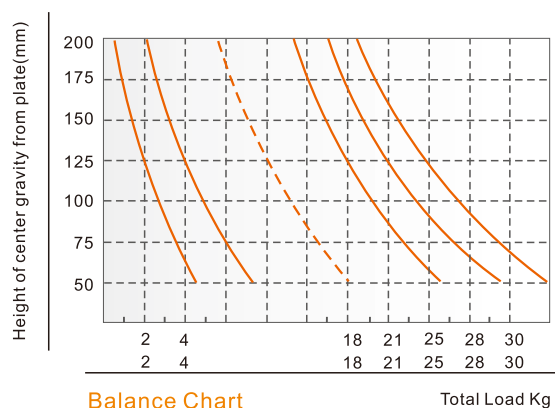
Additional 1/4"-20 & 3/8"-16 screw hole for articulating accessories.

Specifications

	Payload	3.0-28.0kg / 6.6-61.7lbs
	Counterbalance	1-15
	Grades of pan drag	0-7
	Grades of tilt drag	0-7

	Tilt range	-70°~+90°
	Temperature range	-40°C~+80°C
	Net weight	4.2kg / 9.3lbs
	Bowl size	100mm

Counterbalance Graph



GC102 100mm Video Tripod

The GC102 2-stage carbon fiber tripod supports a payload weighing up to 60kg (132lbs). It is made of lightweight carbon fiber, has a 100mm bowl, and the legs are a twin tube design with two stages. The tripod can be adjusted to a maximum height of 160cm and a minimum height of 47cm with a folded length of 74cm. The Mono-Lock feature allows for quick height adjustments of both stages with one twist. An adjustable floor spreader provides extra security and stability.



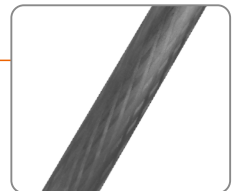
100mm bowl size.



Ergonomic hand locking knob.



The Mono-Lock feature allows for quick height adjustments of both stages with one twist.



High quality carbon fiber tube.



Adjustable ground spreader adding extra stability.



Dual spiked feet provide stability for working on soft or irregular surfaces.

Specifications:

Payload	60.0kg / 132.0lbs
Height range	47.0-160.0cm / 18.5-63.0in
Transport length	74.0cm / 29.1in
Net weight	4.4kg / 9.7lbs
Bowl size	100mm
Sections	3
Material	Carbon fiber

Recommend accessories



GS01 Middle spreader



F3 Rubber feet



EI-7005 Dolly



EI-7005B Dolly