

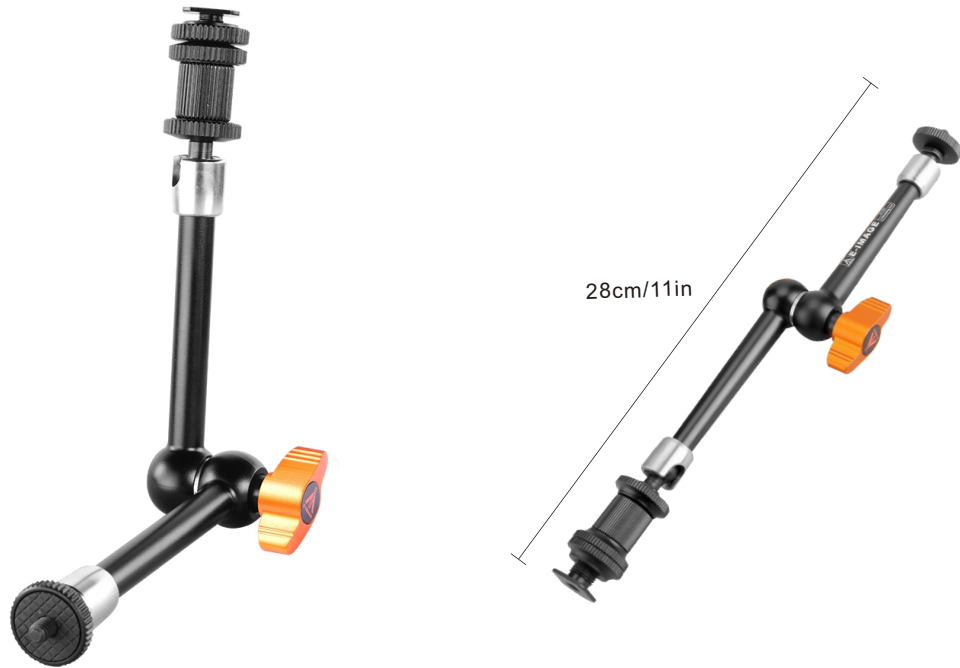


The magic life in the image world

# E-IMAGE

## EI-A51 11" Articulating Arm

EI-A51 is a heavy duty articulating arm for monitors and other accessories. The arm is 11 inches long. It features 1/4"-20 threads on both sides as well as a center wing nut with locking teeth for increased holding capacity.



### SPECIFICATIONS

	Max. Length	28cm / 11in		Payload	3.0kg / 6.6lbs
	Net Weight	240g / 0.5lbs			


### FEATURES




Universal 1/4" screws for attach camera, light and so on.



360 degree swivel, can be adjust to any angle, lower the platform into the notch when need a 90-degree angle.




Ergonomic rigid lockup takes just a quick twist of one control.



Sturdy locking system.



Comes with hot shoe adapter, it can compatible with camera's hot shoe adapter to attach monitors and other accessories.



Usage scenario.