

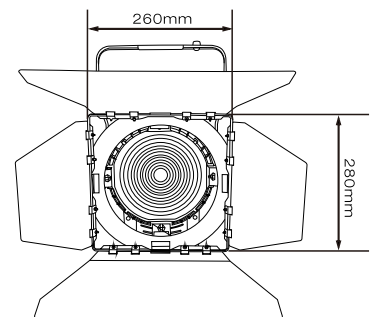
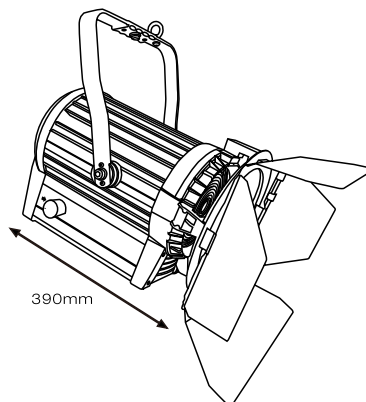
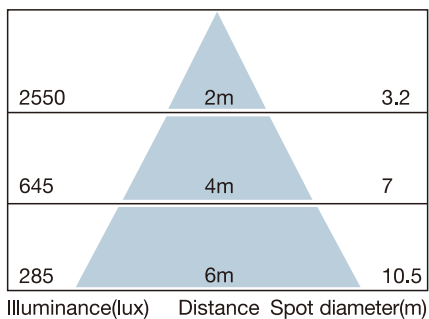
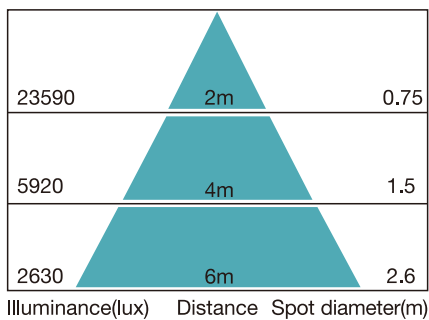
EJ-150

High CRI LED chip imported from the United States is used as lighting-emitting components,-meeting the professional photography and video requirements.The LED lighting source is a solid light-emitting device with a lifespan over 50000 hours,it is a new generation of environmental lighting source.High power and high density LED module combined with aspherical focusing system, high reliability, high-efficiency, long-life, large beam Angle and uniform spots.The illumination output can make 90 percent of energy saving compared with the conventional halogen tungsten stage light.Built-in DMX512 signal control, brightness adjustment range 0-100%, local and Master-slave control.Adopted High quality aluminum profile combined with metal plates , with black epoxy anti-static powder sprayed on the surface, natural heat dissipation.



Model	EJ-150
Power Supply	AC110-240V 50/60Hz
Power Consumption	150W
Color Temperature	5600K
Luminous Flux	>1000lm
CRI	>95Ra
LED Life	>50000H
Dimmer	1-100% / 0-255
Beam Angle	120°
Zoom	Manual
Cooling System	Active cooling
Display	Digitron
DMX Connection	XLR 3Pin and XLR 5Pin
Control Mode	International standard DMX512 signal
Channel Mode	1 channel
Protection Grade	IP41
Use Environment Temperature	-20°C-50°C
Barndoor	Included
Net Weight	9.0kg/ 19.8lbs
Gross Weight	12.4kg/ 27.3lbs
Box Dimensions (LxWxH)	440x420x400mm/ 17.3x16.5x15.7in

Beam angle: ■ 20° ■ 90°



| **EJ-150** |



- 1. Barndoor
- 2. Yoke
- 3. LED Beads
- 4. Digital Display
- 5. Adjustment Button
- 6. AC Power Input

- 7. Disk Brake Handle
- 8. AC Power Output
- 9. ON/OFF Power Switch
- 10. 3-Pin XLR DMX In
- 11. 3-Pin XLR DMX Out
- 12. 5-Pin XLR DMX In
- 13. 5-Pin XLR DMX Out

What's included:

