

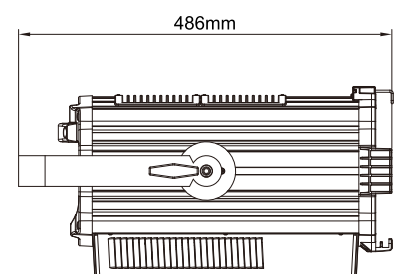
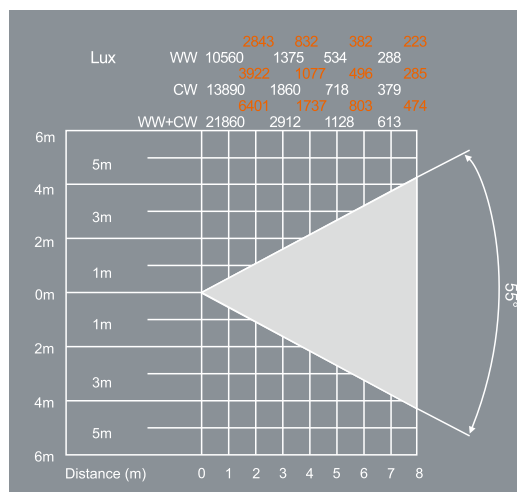
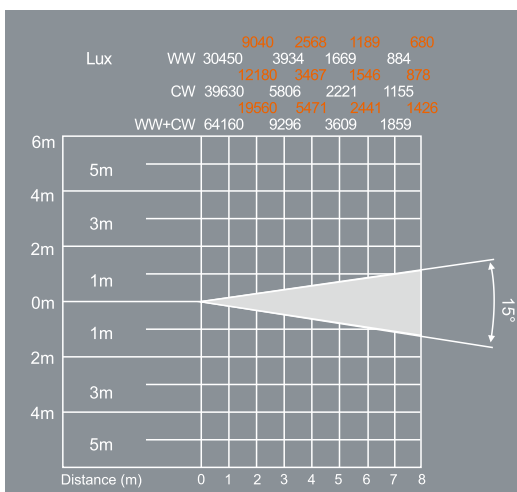
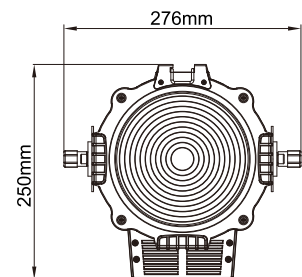
EJ-250S

E-IMAGE professional fresnel light comes with barn doors to adjust the beam dispersion and a manual knob to change the beam angle. It conforms to the international standard DMX512 agreement completely, very suitable in the large-scale theatrical performance, the theater, the performance hall, and so on.



Power Supply	AC100V-240V, 50Hz/60Hz
Power Consumption	350W
Color Temperature	2700K-6500K
CRI	90Ra
LED Life	>50000H
Dimmer	0-100% linear dimmer
Beam Angle	15°-55°
Zoom	Electronic
Strobe	1-20 flash per second
Cooling System	High quality radiator
Display	LCD screen display
Control Mode	International standard DMX512 signal
DMX Connection	XLR 3Pin and XLR 5Pin
Channel Mode	4 channels or 5 channels
Protection Grade	IP20
Use Environment Temperature	-20°C-45°C
Barn door	Included
Net Weight	8.4kg/ 18.5lbs
Gross Weight	10.8kg/ 23.8lbs
Box Dimensions (LxWxH)	520x315x320mm/ 20.5x12.4x12.6in

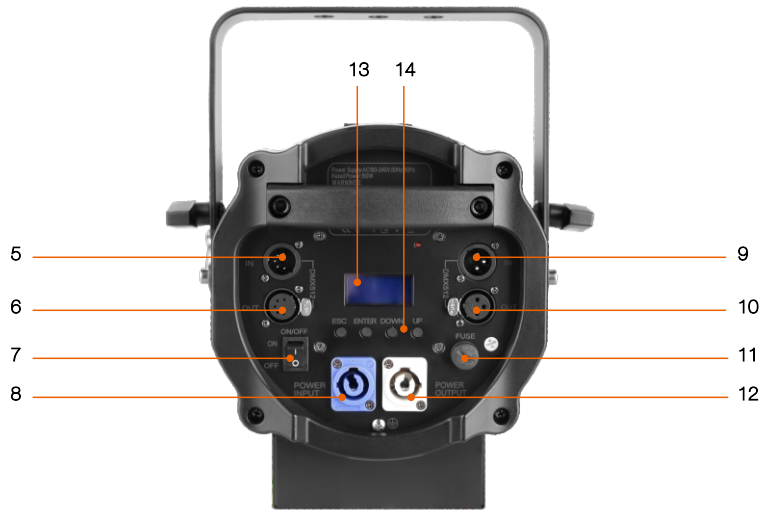
DMX CONTROL CHANNEL			Mode 1	Mode 2
1	Zoom	000 255	CH 1	CH 1
2	Strobe	000 001 255	CH 2	CH 2
3	Low color temperature	000 001 255	CH 3	CH 3
4	High color temperature	000 001 255	CH 4	CH 4
5	Dimmer intensity	000-007 (0-100%) 008-255	CH 5	



EJ-250S

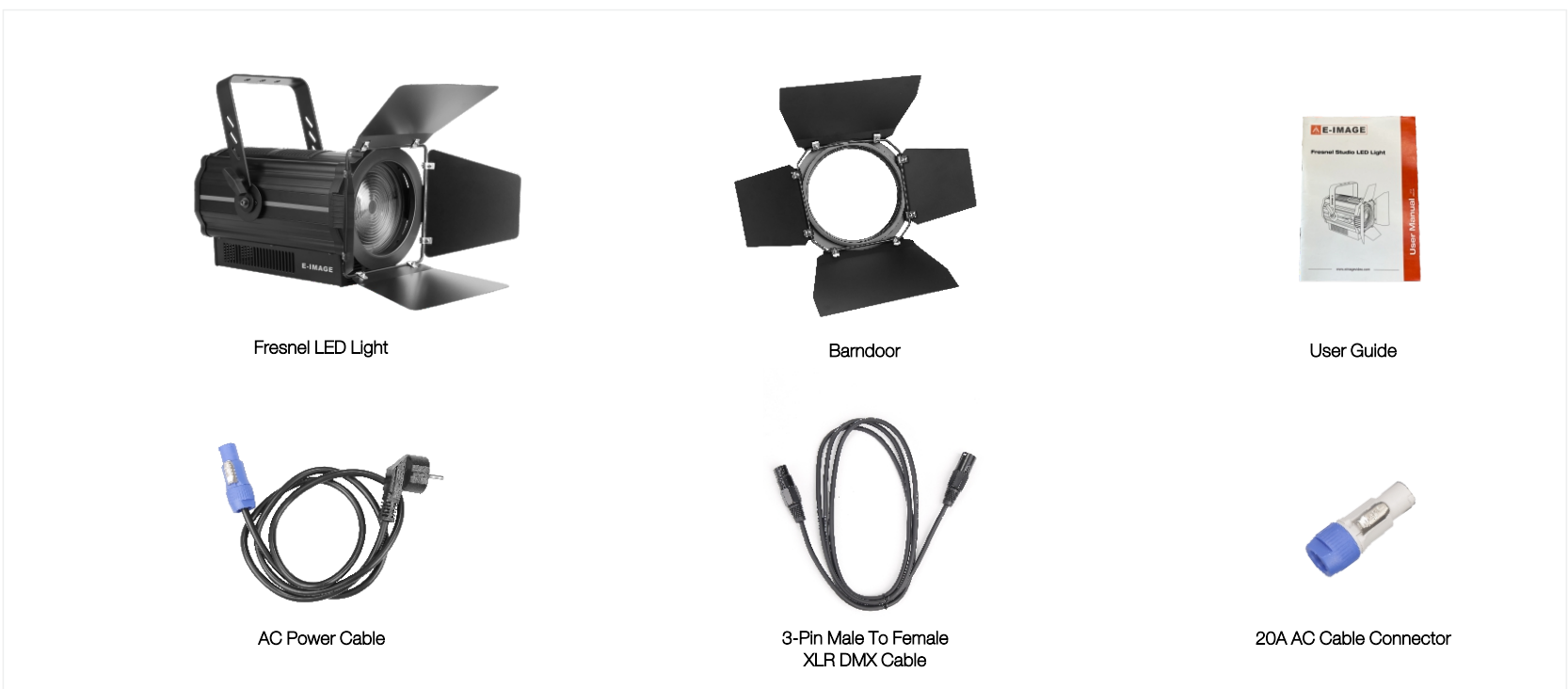


- 1.Yoke
- 2.Locking Knob
- 3.LED Beads
- 4.Barndoor



- 5.5-Pin DMX In Port
- 6.5-Pin DMX Out Port
- 7.ON/OFF Power Switch
- 8.Power Input
- 9.3-Pin DMX In Port
- 10.3-Pin DMX Out Port
- 11.Main Fuse Holder
- 12.Power Output
- 13.Digital Display
- 14.Adjustment Button

What's included:



Fresnel LED Light

Barndoor

User Guide

AC Power Cable

3-Pin Male To Female XLR DMX Cable

20A AC Cable Connector