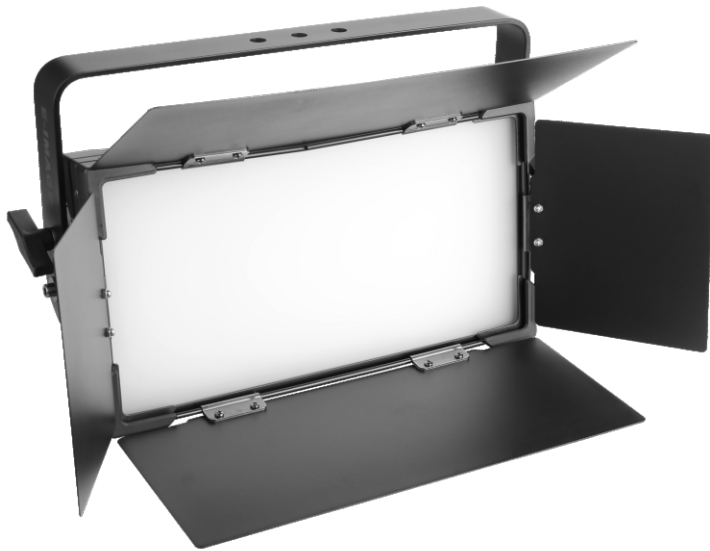


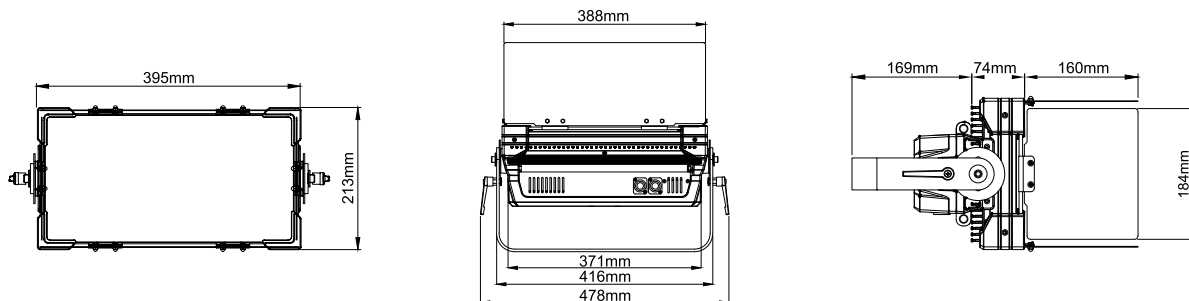
EL-1250C



E-IMAGE LED studio panel light with high chromogenic low power LED as the light emitting element. It is arranged to form high density and large area surface light source. equipped with various international DMX interfaces, can be used in all standard DMX scenarios, mainly applied to news studio and virtual studio of TV stations.

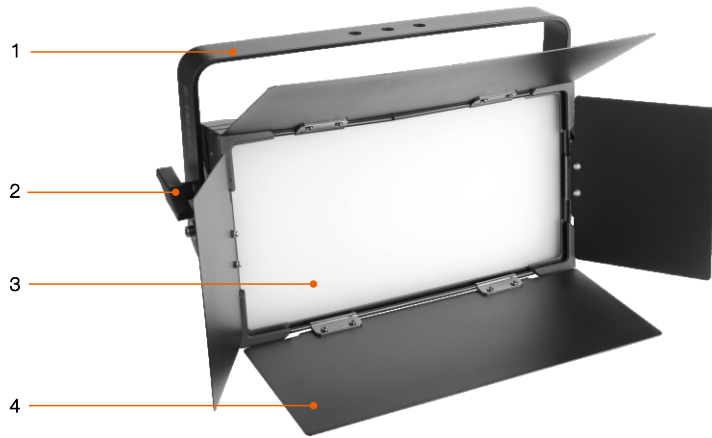


Power Supply	AC100V-240V, 50/60Hz
Power Consumption	250W
LED Life	>50000H
Color Temperature	2700k to 6500k
Dimmer	0-100% linear dimmer
Strobe	1-20 flash per second
Cooling System	High quality radiator
Display	OLED screen display
Control Mode	International standard DMX512 signal
DMX Connection	XLR 3Pin and XLR 5Pin
Channel Mode	9 channels
Protection Grade	IP20
Use Environment Temperature	-20°C-45°C
Barndoor	Included
Net Weight	8.4kg/ 18.5lbs
Gross Weight	10.8kg/ 23.8lbs
Dimensions (LxWxH)	540x365x215mm/ 21.3x14.4x8.5in

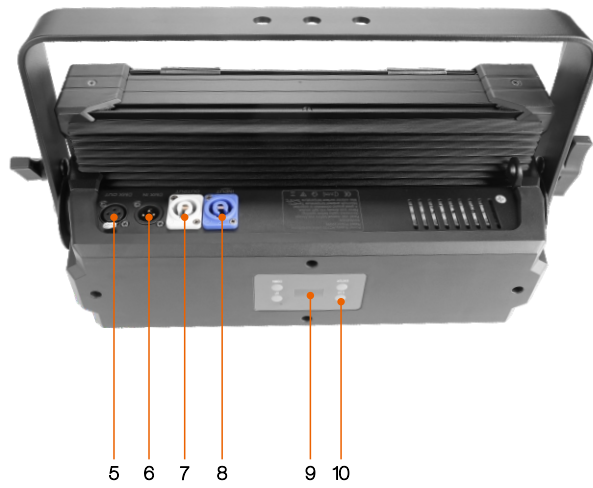


DMX CONTROL CHANNEL		
1	Red	000 255
2	Green	000 255
3	Blue	000 255
4	Dimmer intensity	000-007 (0-100%) 008-255
5	Strobe	000 025 026 255
6	Function speed	000 Speed, From slow to fast 255
7	Low color temperature	000 001 255
8	High color temperature	000 001 255
9	Demo	000 001 255

| **EL-1250C** |  **RGB LIGHT**

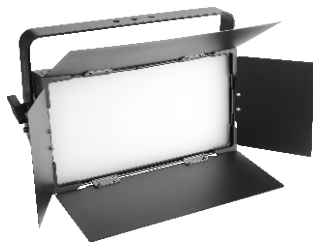


- 1.Yoke
- 2.Locking Handle
- 3.LED Beads
- 4.Barndoor



- 5.DMX Out
- 6.DMX In
- 7.Power Output
- 8.Power Input
- 9.Digital Display
- 10.Adjustment Button

What's included:



Fresnel LED Light



User Guide



AC Power Cable



3-Pin Male To Female
XLR DMX Cable