

## GH03F Flat Base Fluid Head

The E-Image GH03F fluid head with flat base supports cameras and accessories weighing up to 5kg (11lbs). With flat base, the head is designed to use with flat-base tripods and fit sliders, skate dollies and other equipments. With standard 1/4" and 3/8" screw holes on the sides, monitor arms and other accessories can be installed on it. The pan handle can be attached to rosette adapters on the left or right side of the head.



### Features



Flat base.



Continuous adjustable of tilt drag.



GP1 quick release plate.



A built-in bubble level to assist balancing.



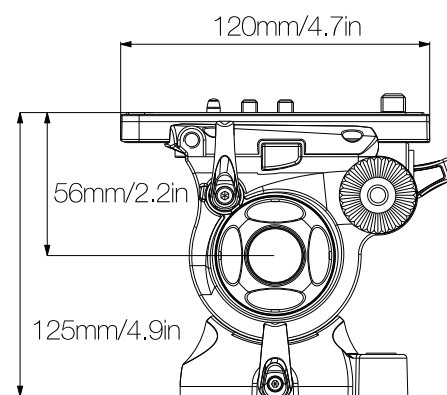
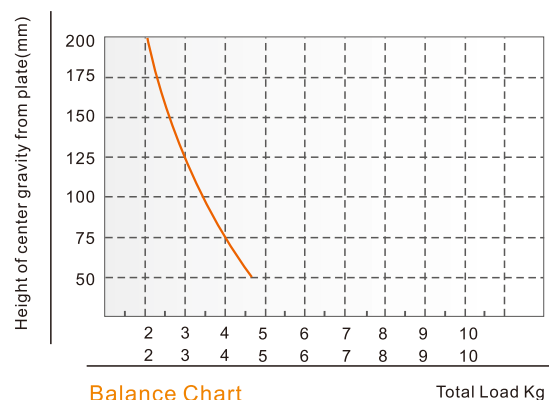
Additional 1/4"-20 screw hole for articulating accessories.

### Specifications

	Payload	5.0kg / 11.0lbs
	Counterbalance	Fixed
	Grades of pan drag	Fixed
	Grades of tilt drag	Continuous adjustable

	Tilt range	-80°~+90°
	Temperature range	-40°C~+80°C
	Net weight	1.2kg / 2.6lbs
	Bowl size	Flat base

### Counterbalance Graph



Recommend Kit



**EG03FA3**



**EG03A3**

Fluid head	GH03F	GH03F
Tripod	GA230	GA752
Bowl size	Flat base	Flat base
Payload	5kg / 11.0lbs	5kg / 11.0lbs
Counterbalance	Fixed	Fixed
Drag setting	Fixed(pan drag), Continuous adjustable(tilt drag)	Fixed(pan drag), Continuous adjustable(tilt drag)
Net weight	6kg / 13.2lbs	5kg / 11.0lbs
Leg material	Aluminum	Aluminum
Leg sections	3	3
Height range	97-243cm / 38.2-95.7in	76.5-170cm / 30.1-66.9in
Transport length	102cm / 40.2in	85cm / 33.5in

Recommend accessories



**GS02** Ground spreader



**EI-7003** Dolly



**EI-7003C** Dolly