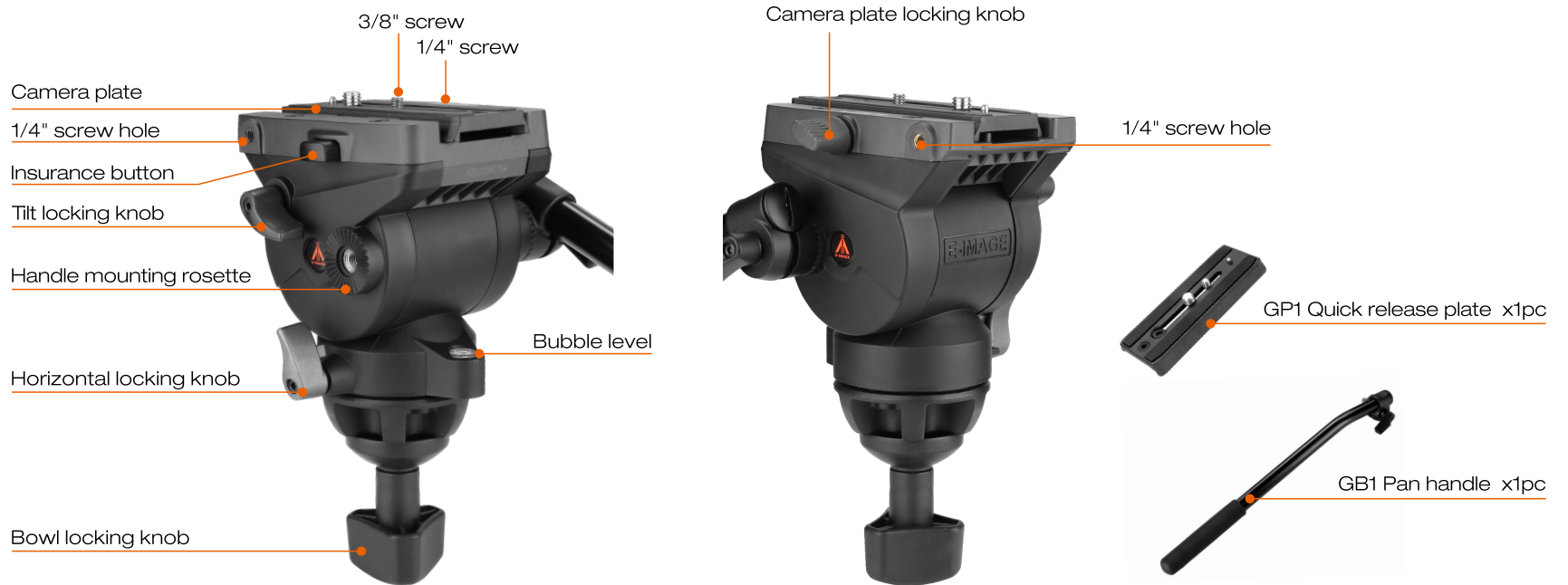


GH04 75mm Fluid Head

The E-Image GH04 fluid head has a recommended payload of 6kg (13.2lbs). And can switch from having a 75mm ball for tripod mounting to having a flat base with a 3/8"-16 mounting point. To transition from ball to flat, simply use the included 3mm allen wrench to loosen the three locking bolts on the underside of the 75mm ball mount and twist the ball mount counter-clockwise. Pan and tilt drag are installed and set at a fixed amount for light cameras.



Features



Dual-base head with a 75mm ball base and flat base.



Fixed pan & tilt drag for smooth movement.



GP1 quick release plate.



A built-in bubble level to assist balancing.



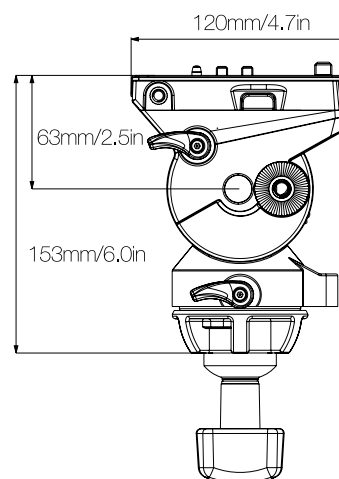
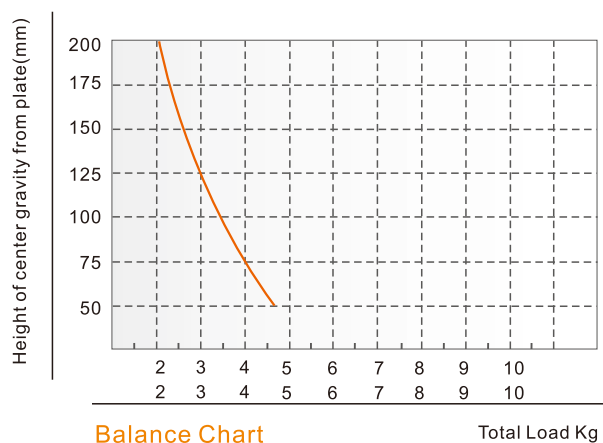
Additional 1/4"-20 screw hole for articulating accessories.

Specifications

	Payload	6.0kg / 13.2lbs
	Counterbalance	Fixed
	Grades of pan drag	Fixed
	Grades of tilt drag	Fixed

	Tilt range	-75°~+90°
	Temperature range	-40°C~+80°C
	Net weight	1.6kg / 3.5lbs
	Bowl size	75mm

Counterbalance Graph



Recommend Kit



EG04AS

Fluid head	GH04
Tripod	GA752S
Bowl size	75mm
Payload	6kg / 13.2lbs
Counterbalance	Fixed
Drag setting	Fixed
Net weight	4.1kg / 9.0lbs
Leg material	Aluminum
Leg sections	3
Height range	77.5-169.5cm / 30.5-66.7in
Transport length	87.5cm / 34.4in

Recommend accessories



GS02 Ground spreader



EI-7003 Dolly



EI-7003C Dolly