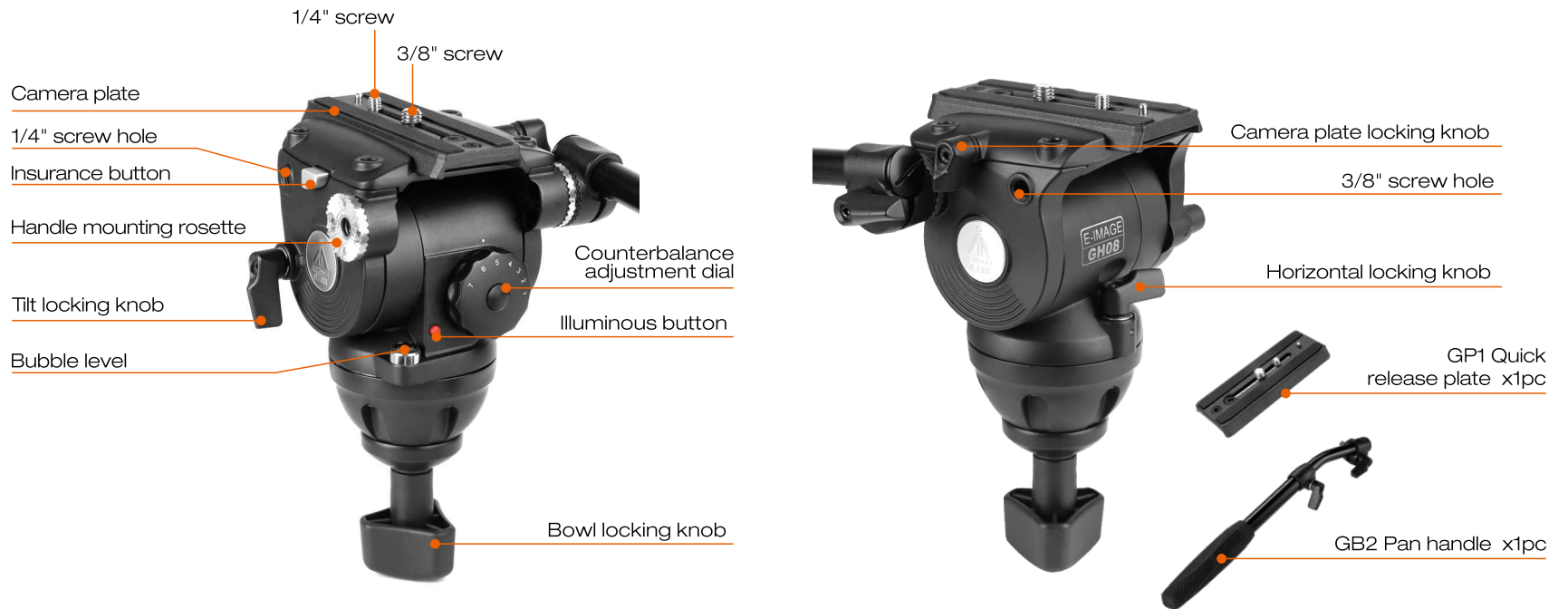


GH08 75mm Fluid Head

The GH08 head is specially designed for supporting handheld size of DV, DVCAM, HVX and HDV camcorders. It features a quick release sliding balance plate system for attaching the camera to the head. It provides 7 counterbalance settings that helps the fluid head support loads up to 8kg (18lbs). It features with fixed drag on both pan and tilt. The head features a built in 1/4"-20 & 3/8"-16 accessory socket for available monitor support arms or other accessory items. It has self-illuminated touch bubbles for easy leveling in poor light conditions. With standard 75mm bowl, the heads could be equipped with all 75mm bowl size legs.



Features



Fixed pan & tilt drag for smooth movement.



1-7 grades of counterbalance for perfect balance.



A built-in illuminated bubble level to assist balancing in darkness (automatic delay off).



GP1 quick release plate



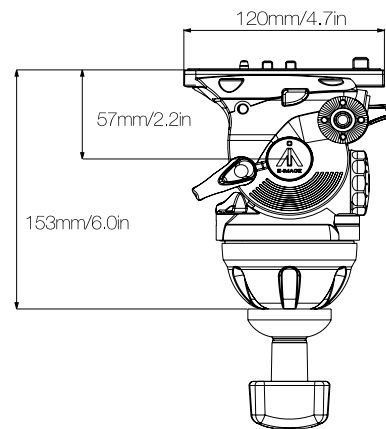
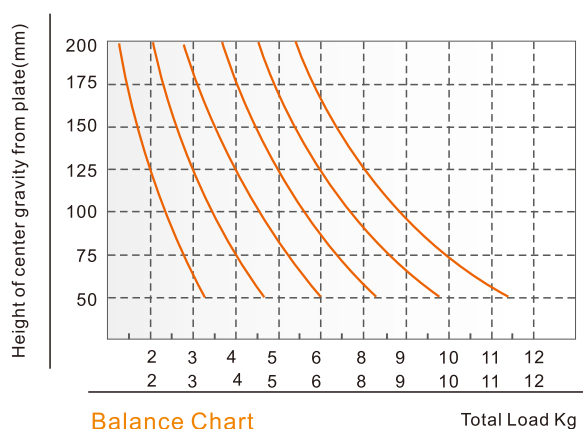
Additional 1/4"-20 & 3/8"-16 screw hole for articulating accessories.

Specifications

	Payload	2.0-8.0kg / 4.4-17.6lbs
	Counterbalance	1-7
	Grades of pan drag	Fixed
	Grades of tilt drag	Fixed

	Tilt range	-60°~+90°
	Temperature range	-40°C~+80°C
	Net weight	2.0kg / 4.4lbs
	Bowl size	75mm

Counterbalance Graph



Recommend Kit



EG08A2



EG08C2



GH08+761AT



GH08+761CT

Fluid head	GH08	GH08	GH08	GH08
Tripod	GA752	GC752	761AT	761CT
Bowl size	75mm	75mm	75mm	75mm
Payload	8kg / 17.6lbs	8kg / 17.6lbs	8kg / 17.6lbs	8kg / 17.6lbs
Counterbalance	1-7	1-7	1-7	1-7
Drag setting	Fixed	Fixed	Fixed	Fixed
Net weight	5.5kg / 12.1lbs	5.1kg / 11.2lbs	4.8kg / 10.6lbs	4.2kg / 9.3lbs
Leg material	Aluminum	Carbon fiber	Aluminum	Carbon fiber
Leg sections	3	3	4	4
Height range	76-169.5cm / 29.9-66.7in	76-169.5cm / 29.9-66.7in	25.5-182.5cm / 10.0-71.9in	25.5-182.5cm / 10.0-71.9in
Transport length	84.5cm / 33.3in	84.5cm / 33.3in	66.5cm / 26.2in	66.5cm / 26.2in

Recommend accessories



GS02 Ground spreader



EI-7003 Dolly



EI-7003C Dolly



EI-7004C Dolly



ST-1 Stone bag