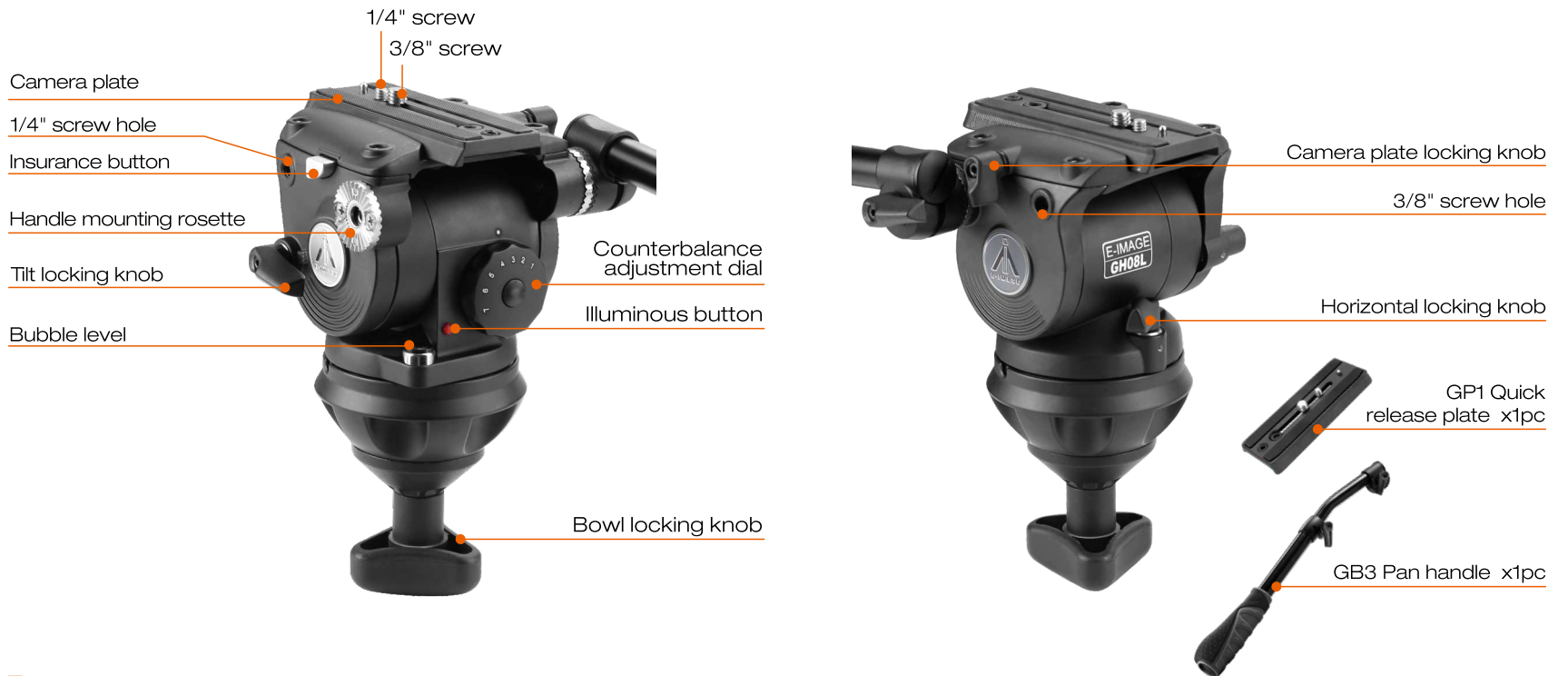


GH08L 100mm Fluid Head

The GH08L head is specially designed for supporting handheld size of DV, DVCAM, HVX and HDV camcorders. It features a quick release sliding balance plate system for attaching the camera to the head. It provides 7 counterbalance settings that helps the fluid head support loads up to 8kg (18lbs). It features with fixed drag on both pan and tilt. The head features a built in 1/4"-20 & 3/8"-16 accessory socket for available monitor support arms or other accessory items. It has self-illuminated touch bubbles for easy leveling in poor light conditions. With standard 100mm bowl, the heads could be equipped with all 100mm bowl size legs.



Features



Fixed pan & tilt drag for smooth movement.



1-7 grades of counterbalance for perfect balance.



A built-in illuminated bubble level to assist balancing in darkness (automatic delay off).



GP1 quick release plate



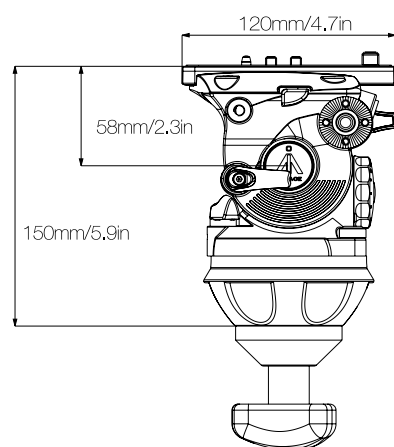
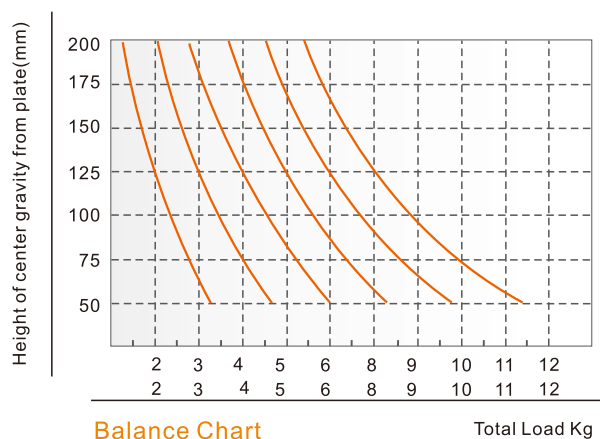
Additional 1/4"-20 & 3/8"-16 screw hole for articulating accessories.

Specifications

	Payload	2.0-8.0kg / 4.4-17.6lbs
	Counterbalance	1-7
	Grades of pan drag	Fixed
	Grades of tilt drag	Fixed

	Tilt range	-60°~+90°
	Temperature range	-40°C~+80°C
	Net weight	2.3kg / 5.1lbs
	Bowl size	100mm

Counterbalance Graph



Recommend Kit



EG08A2L



EG08C2L

Fluid head	GH08L	GH08L
Tripod	GA102	GC102
Bowl size	100mm	100mm
Payload	8kg / 17.6lbs	8kg / 17.6lbs
Counterbalance	1-7	1-7
Drag setting	Fixed	Fixed
Net weight	7.3kg / 16.1lbs	6.7kg / 14.7lbs
Leg material	Aluminum	Carbon fiber
Leg sections	3	3
Height range	59.5-172.5cm / 23.4-67.9in	59.5-172.5cm / 23.4-67.9in
Transport length	86.5cm / 34.1in	86.5cm / 34.1in

Recommend accessories



GS01 Middle spreader



F3 Rubber feet



EI-7003 Dolly



EI-7004 Dolly