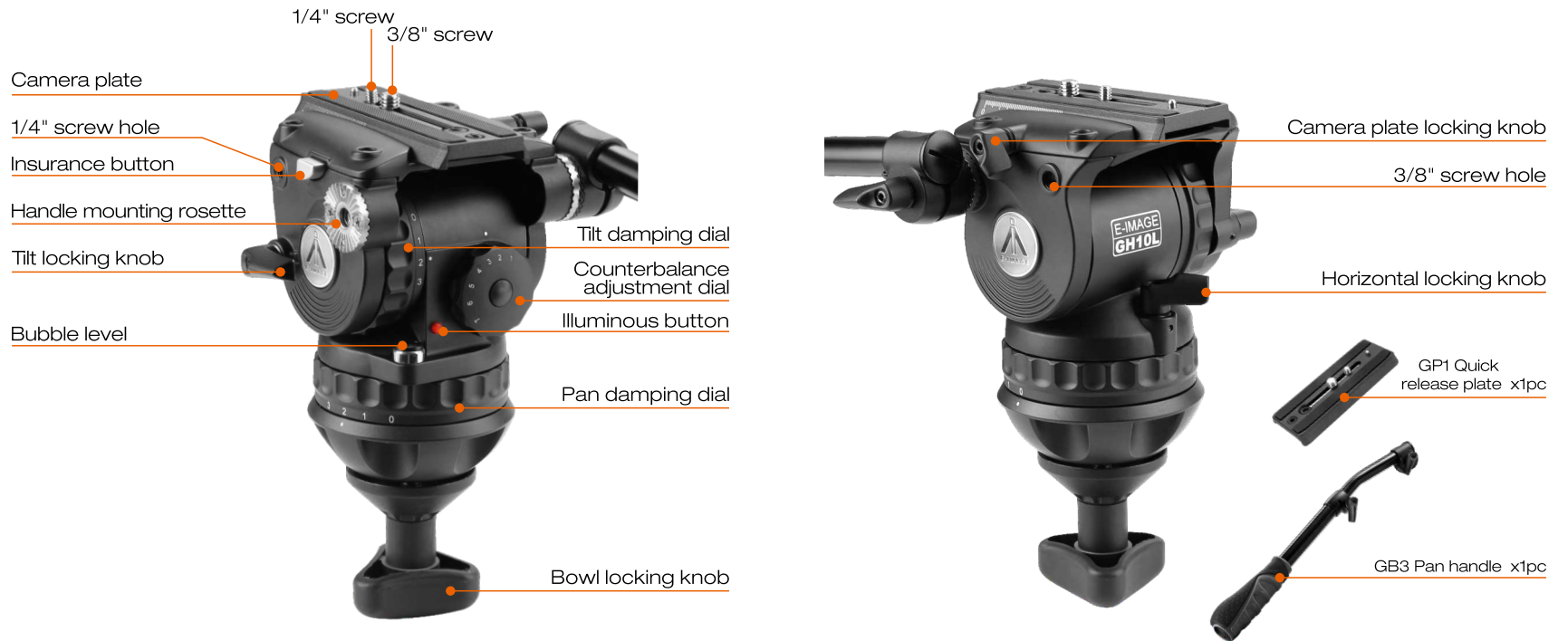


GH10L 100mm Fluid Head

With its 10kg (22lbs) capacity and compact size, the GH10L head is ideal designed for supporting handheld size of DV, DVCAM, HVX and HDV camcorders. It features a sliding balance plate system for attaching the camera to the head. It provides 7 counterbalance settings. With three fluid drag grades plus a zero setting on both pan and tilt, you can adjust the fluid head to suit your shooting style or the needs of the shot. The head features a built in 1/4"-20 & 3/8"-16 accessory socket for available monitor support arms or other accessory items. it has self-illuminated touch bubbles for easy leveling in poor light conditions. With standard 100mm bowl, the heads could be equipped with all 100mm bowl size legs.



Features



0-3 grades of pan & tilt drag for smooth movement.



1-7 grades of counterbalance for perfect balance.



A built-in illuminated bubble level to assist balancing in darkness (automatic delay off).



GP1 quick release plate



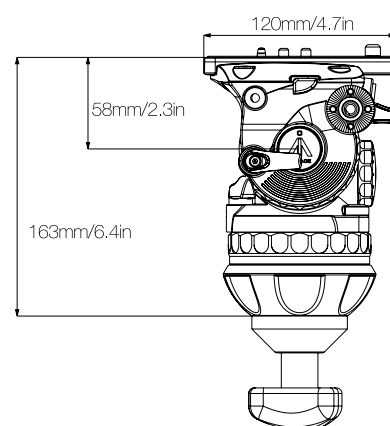
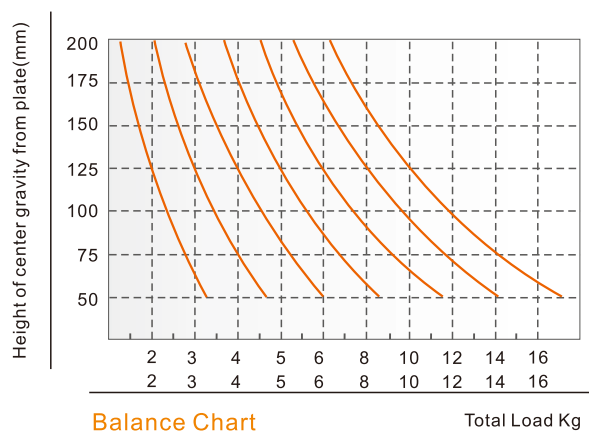
Additional 1/4"-20 & 3/8"-16 screw hole for articulating accessories.

Specifications

	Payload	4.0-10.0kg / 8.8-22.0lbs
	Counterbalance	1-7
	Grades of pan drag	0-3
	Grades of tilt drag	0-3

	Tilt range	-60°~+90°
	Temperature range	-40°C~+80°C
	Net weight	2.5kg / 5.5lbs
	Bowl size	100mm

Counterbalance Graph



Recommend Kit



EG10A2L



EG10C2L



GH10L+771CT

Fluid head	GH10L	GH10L	GH10L
Tripod	GA102	GC102	771CT
Bowl size	100mm	100mm	100mm
Payload	10kg / 22.0lbs	10kg / 22.0lbs	10kg / 22.0lbs
Counterbalance	1-7	1-7	1-7
Drag setting	0-3	0-3	0-3
Net weight	7.5kg / 16.5lbs	6.9kg / 15.2lbs	5.6kg / 12.3lbs
Leg material	Aluminum	Carbon fiber	Carbon fiber
Leg sections	3	3	4
Height range	60.5-173.5cm / 23.8-68.3in	60.5-173.5cm / 23.8-68.3in	33.5-193.5cm / 13.2-76.2in
Transport length	87.5cm / 34.4in	87.5cm / 34.4in	82.5cm / 32.5in

Recommend accessories



EI-7004 Dolly



EI-7004B Dolly



EI-7004C Dolly



GS01 Middle spreader



F3 Rubber feet



ST-1 Stone bag