

GH15 100mm Fluid Head

With 15kg (33lbs) capacity, the EIMAGE GH15 fluid head is a ideal choice for the professional videographers utilizing heavy camcorders who requires the smoothest pan and tilt as well as rapid setup. It features 9 steps (0-9) counterbalance system with a sliding plate for perfect balance, and 5 steps of drag plus zero in both pan and tilt. The head features a built in 1/4"-20 accessory socket for available monitor support arms or other accessory items. it has self-illuminated touch bubbles for easy leveling in poor light conditions. With standard 100mm bowl, the heads could be equipped with all 100mm bowl size legs.



Features



0-5 grades of pan & tilt drag for smooth movement.



0-9 grades of counterbalance for perfect balance.



A built-in illuminated bubble level to assist balancing in darkness (automatic delay off).



GP2 quick release plate with an extra 145mm (5.7in) sliding range.



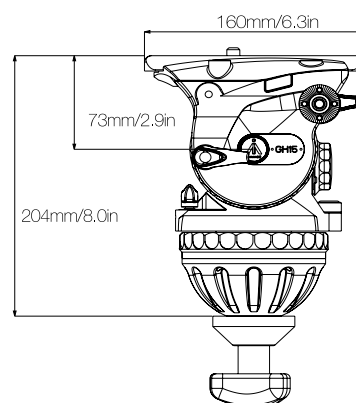
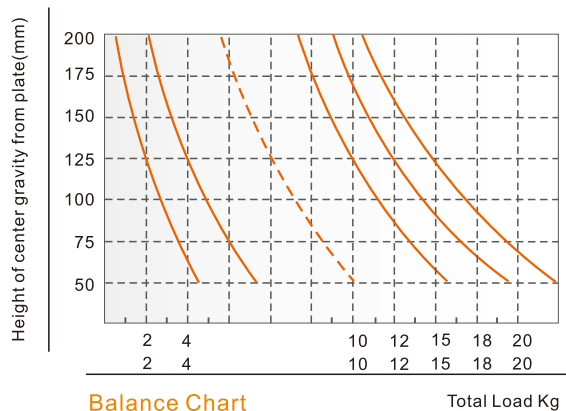
Additional 1/4"-20 & 3/8"-16 screw hole for articulating accessories.

Specifications

	Payload	0-18.0kg / 0-39.7lbs
	Counterbalance	0-9
	Grades of pan drag	0-5
	Grades of tilt drag	0-5

	Tilt range	-75°~+90°
	Temperature range	-40°C~+80°C
	Net weight	3.8kg / 8.4lbs
	Bowl size	100mm

Counterbalance Graph



Recommend Kit



EG15A2



EG15C2



EG15A



EG15C

Fluid head	GH15	GH15	GH15	GH15
Tripod	GA102	GC102	GA101	GC101
Bowl size	100mm	100mm	100mm	100mm
Payload	18kg / 39.7lbs	18kg / 39.7lbs	18kg / 39.7lbs	18kg / 39.7lbs
Counterbalance	0-9	0-9	0-9	0-9
Drag setting	0-5	0-5	0-5	0-5
Net weight	8.9kg / 19.6lbs	8.2kg / 18.1lbs	8.3kg / 18.3lbs	7.7kg / 16.9lbs
Leg material	Aluminum	Carbon fiber	Aluminum	Carbon fiber
Leg sections	3	3	2	2
Height range	64.5-177.5cm / 25.4-69.9in	64.5-177.5cm / 25.4-69.9in	81-158cm / 31.9-62.2in	81-158cm / 31.9-62.2in
Transport length	91.5cm / 36.0in	91.5cm / 36.0in	102.5cm / 40.4in	102.5cm / 40.4in

Recommend accessories



GS01 Middle spreader



EI-7004 Dolly



EI-7004B Dolly



F3 Rubber feet