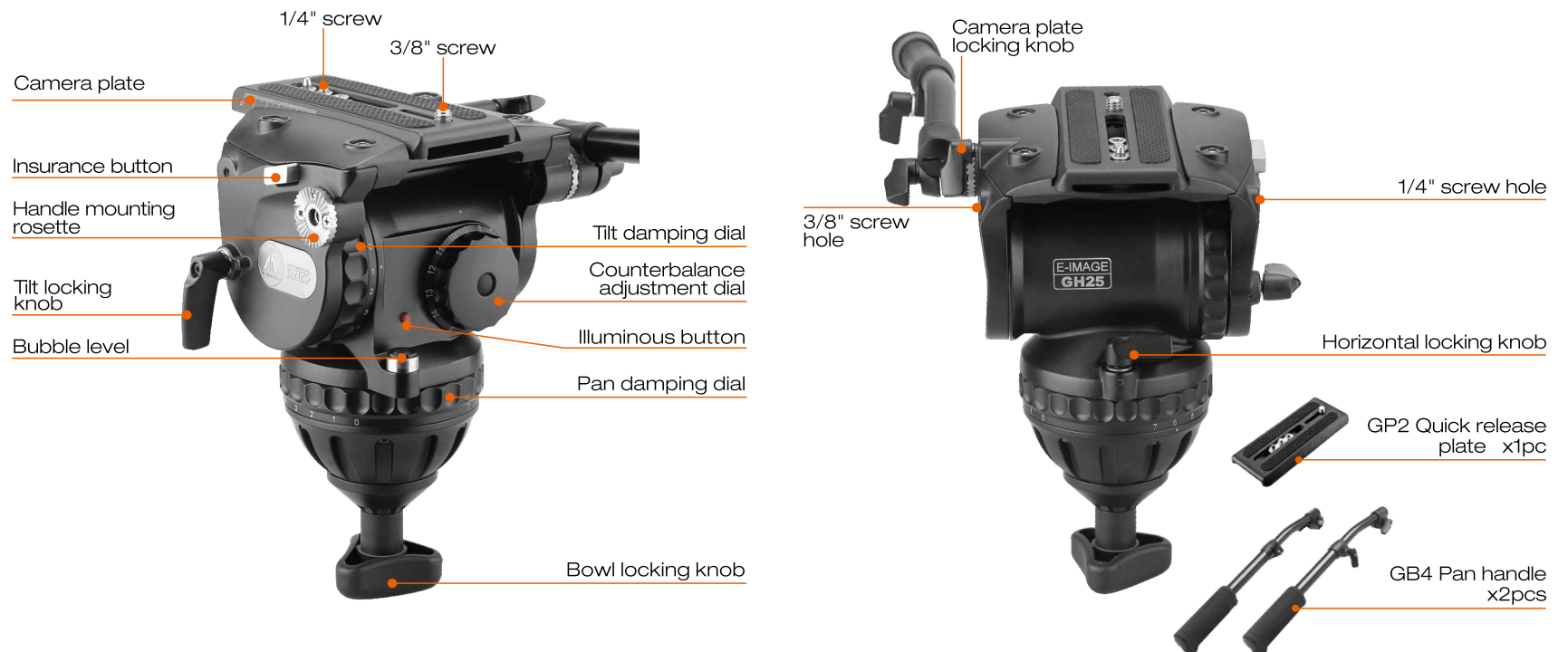


GH25 100mm Fluid Head

The GH25 fluid head features 15 steps (1-15) counterbalance system with a 70mm (2.8in) sliding plate for perfect balance, and 8 steps (0-7) drag in both pan and tilt for smooth movement. A built-in illuminated bubble level to assist balancing in darkness and extendable dual pan handles are included.



Features



0-7 grades of pan & tilt drag for smooth movement.



1-15 grades of counterbalance for perfect balance.



A built-in illuminated bubble level to assist balancing in darkness (automatic delay off).



GP2 quick release plate with an extra 145mm (5.7in) sliding range.



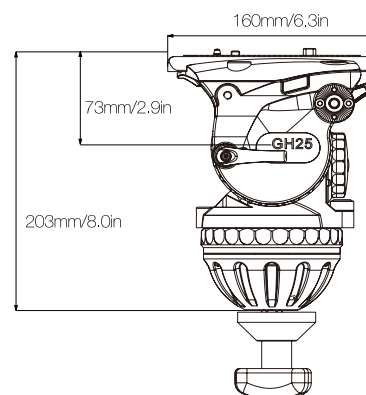
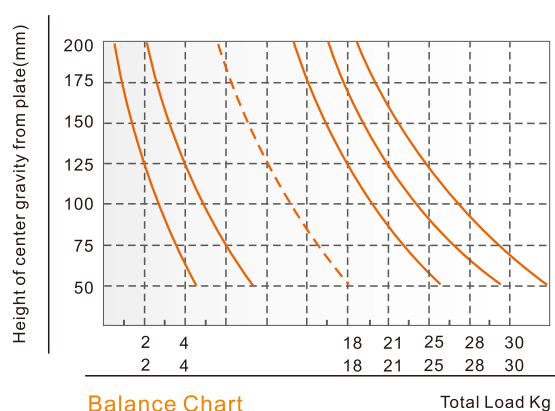
Additional 1/4"-20 & 3/8"-16 screw hole for articulating accessories.

Specifications

	Payload	3.0-28.0kg / 6.6-61.7lbs
	Counterbalance	1-15
	Grades of pan drag	0-7
	Grades of tilt drag	0-7

	Tilt range	-70°~+90°
	Temperature range	-40°C~+80°C
	Net weight	4.2kg / 9.3lbs
	Bowl size	100mm

Counterbalance Graph



Recommend Kit



EG25A2



EG25C2



EG25A



EG25C



EG25C PLUS

Fluid head	GH25	GH25	GH25	GH25	GH25
Tripod	GA102	GC102	GA101	GC101	ECT100L
Bowl size	100mm	100mm	100mm	100mm	100mm
Payload	28kg / 61.7lbs	28kg / 61.7lbs	28kg / 61.7lbs	28kg / 61.7lbs	28kg / 61.7lbs
Counterbalance	1-15	1-15	1-15	1-15	1-15
Drag setting	0-7	0-7	0-7	0-7	0-7
Net weight	9.3kg / 20.5lbs	8.6kg / 19.0lbs	8.6kg / 18.9lbs	8.1kg / 17.9lbs	12.3kg / 27.1lbs
Leg material	Aluminum	Carbon fiber	Aluminum	Carbon fiber	Carbon fiber
Leg sections	3	3	2	2	2
Height range	62.5-175.5cm / 24.6-69.1in	62.5-175.5cm / 24.6-69.1in	80-158cm / 31.5-62.2in	80-158cm / 31.5-62.2in	92-168cm / 36.2-66.1in
Transport length	89.5cm / 35.2in	89.5cm / 35.2in	101.5cm / 40.0in	101.5cm / 40.0in	109cm / 42.9in

Recommend accessories



GS01 Middle spreader



F3 Rubber feet



GS03 Ground spreader



EI-7005 Dolly



EI-7005B Dolly