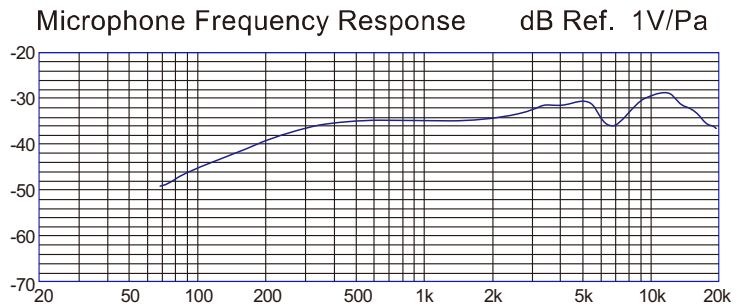
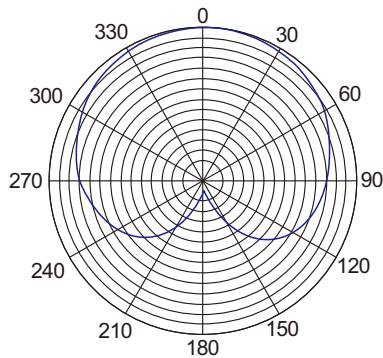
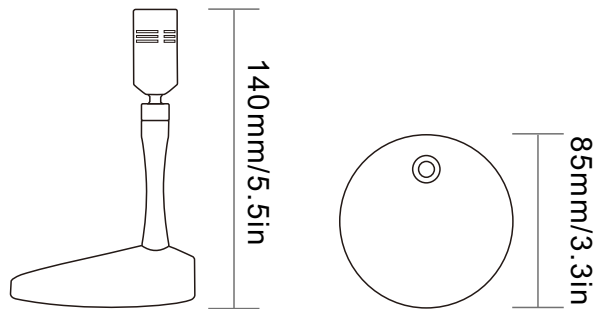




CM-420 Cardioid Condenser Microphone

The E-IMAGE CM-420 is a cardioid desktop microphone designed for use during speeches and conferences, and in boardrooms, lecture halls, and similar venues. The mic's cardioid pickup rejects off-axis sound, blocking out unwanted background noise. The microphone is constructed from brass shell, it provides a 40 Hz to 16 kHz frequency response, and is powered by a 48V phantom power.



COMPONENT



CM-420 microphone	1pc
XLR cable	1pc
Foam windscreen	1pc



SPECIFICATIONS

Element	Back Electret Condenser
Polar Pattern	Cardioid/Hyper-cardioid/Omni
Frequency Response	40Hz-16kHz
Sensitivity	-38dB±3dB(1dB=1V/Pa at 1kHz)
Output Impedance	600Ω±20%(at 1kHz)
Equivalent Noise Level	≤25DbA
Signal to Noise Ratio	70dB(1kHz at 1Pa)
Max.Input SPL	130dB(T.H.D≤1% at 1kHz)
Power Requirements	48V DC,2mA
Line Length	3M
Output Interface	XLRM XLR PLUG

FEATURES




Cardioid




The E-IMAGE CM-420 is a cardioid desktop microphone designed for use during speeches and conferences, and in boardrooms, lecture halls, and similar venues.




Interchangeable with hyper-cardioid and omni sound heads.
Need pre-factory setting.



48V phantom power.


Length: 3M 



The gold plated XLR link makes audio frequency current with ideal transmission.



Foam windscreen with high purity anti-spray sound, soft touch. Easy to clean and not deformed and other functions.



Brass

Brass shell paint by special flannel lacquer, which makes the products beautiful.