



The magic life in the image world

# E-IMAGE

## EI-A03P Mini Ball Head

The E-IMAGE new EI-A03P mini ball head with removable cold shoe mount, this ball head allows you to mount camera, LED lights, monitors, remove the bottom cold shoe with the L-shaped hex key and connect the ball head to a light stand or a small desk tripod through the 1/4"-20 threaded hole.

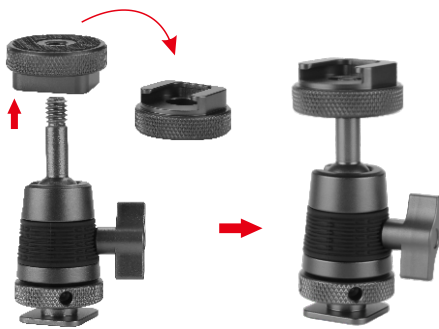


### Specifications

	Length	6.5cm / 2.6in
	Net Weight	60g / 0.1lbs

	Payload	3.0kg / 6.6lbs
--	---------	----------------

### Features



Can be change freely between 1/4" screw and cold shoe.



Can be combined in different ways.



Universal 1/4" screws for attach camera, light and so on.



360 degree swivel, can be adjust to any angle, lower the platform into the notch when need a 90-degree angle.



Ergonomic rigid lockup takes just a quick twist of one control.