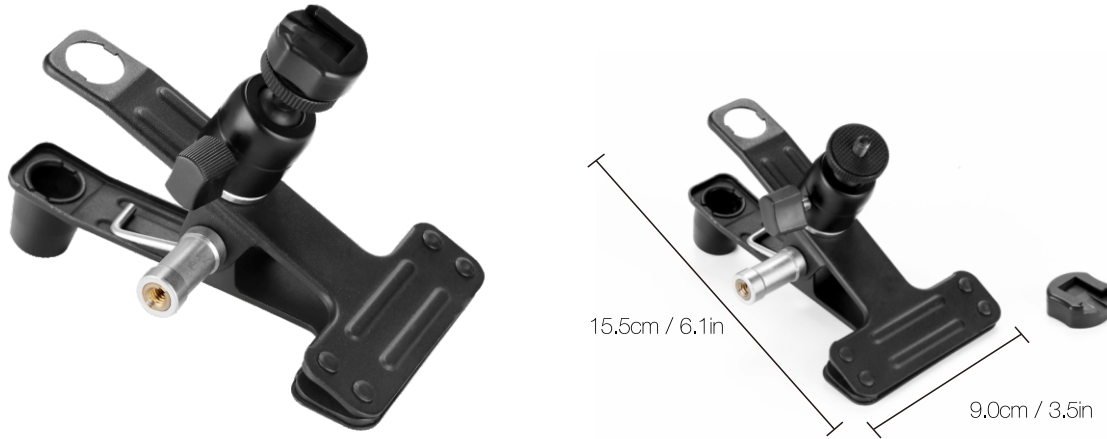


EI-A07R Clamp With Ball Head & Cold Shoe

The EI-A07R clamp with mini ball head from E-IMAGE is a spring clamp has multiple mounting points and stand adapters making it a handy grip tool for clamping reflectors, or gear. The attached mini ball head features a shoe mount, which can be used to hold a flash or other shoe mountable accessory.



Specifications

	Payload	3.0kg / 6.6lb
	Net Weight	385g / 0.8lb

	Length	15.5cm / 6.1lb
-------------------------------------------------------------------------------------	--------	----------------

Features



- (1) 3/8" Screw holes
- (2) 1/4" Screw holes



5/8" receiver



360 degree swivel, can be adjust to any angle.



Usage scenario.



Usage scenario.



Usage scenario.