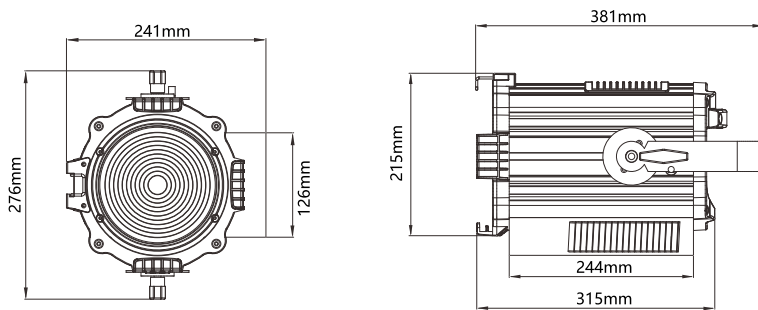


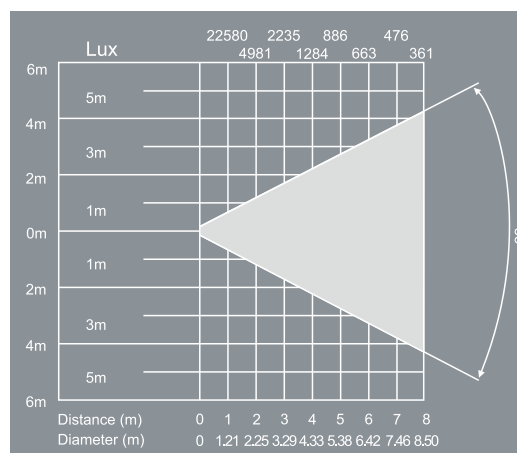
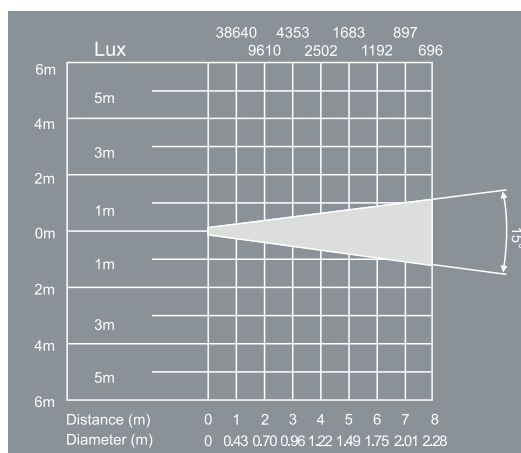
EJ-160S

E-IMAGE professional fresnel light comes with barn doors to adjust the beam dispersion and a manual knob to change the beam angle. It conforms to the international standard DMX512 agreement completely, very suitable in the large-scale theatrical performance, the theater, the performance hall, and so on.



Power Supply	AC100V-240V, 50Hz/60Hz
Power Consumption	150W
Lamp	W.W+C.W 100W
Color Temperature	2700k or 6500k
CRI	≥85Ra or ≥95Ra
LED Life	>50000H
Dimmer	0-100% linear dimmer
Beam Angle	15°-55°
Zoom	Adjusted by manual
Strobe	1-20 flash per second
Cooling System	High quality radiator,regulating speed fan
Display	LCD screen display
Control Mode	International standard DMX512 signal
DMX Connection	XLR 3Pin and XLR 5Pin
Channel Mode	1 channel or 2 channels
Protection Grade	IP20
Use Environment Temperature	-20°C-45°C
Barndoor	Included
Net Weight	5.8kg/ 12.8lbs
Gross Weight	7.5kg/ 16.5lbs
Box Dimensions (LxWxH)	425x315x320mm/ 16.7x12.4x12.6in

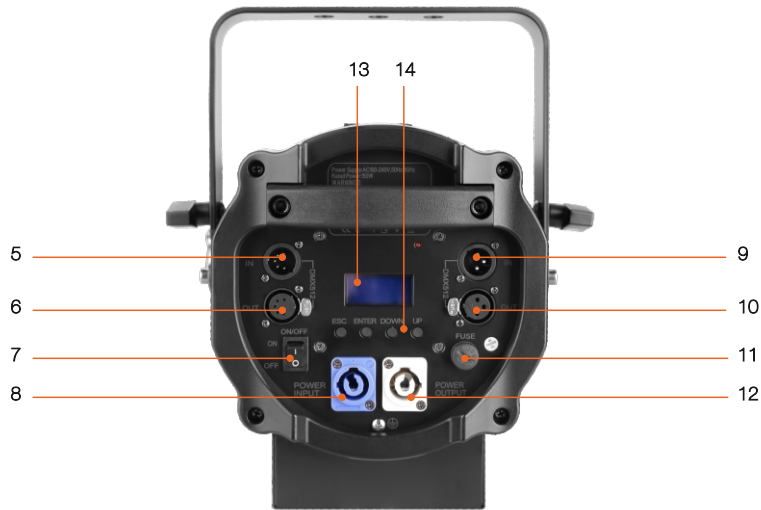
DMX CONTROL CHANNEL			Mode 1	Mode 2
1	Dimmer intensity	000-007 (0-100%) 008-255	CH 1	CH 1
2	Strobe	000 001 255	CH 2	



| **EJ-160S** |

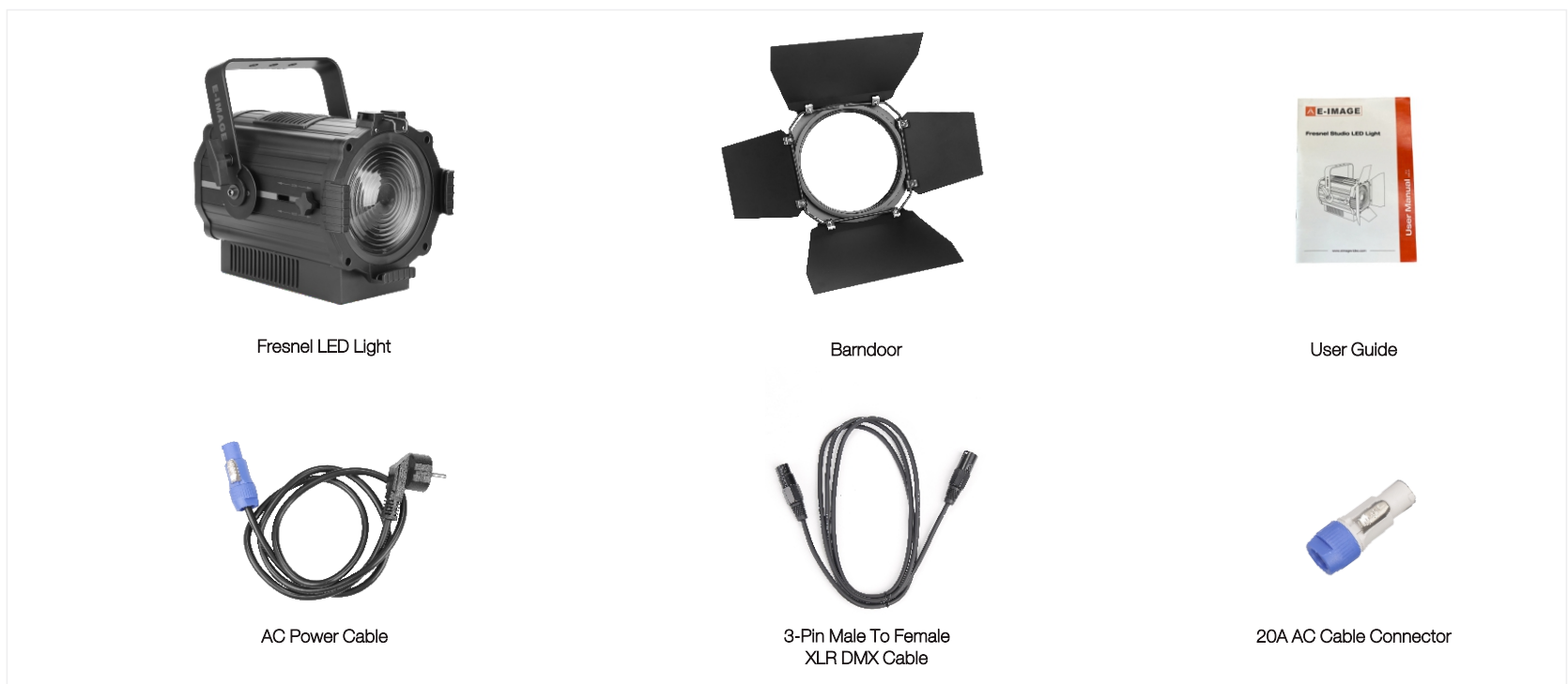


- 1.Yoke
- 2.Locking Handle
- 3.LED Beads
- 4.Barndoor



- 5.5-Pin DMX In Port
- 6.5-Pin DMX Out Port
- 7.ON/OFF Power Switch
- 8.Power Input
- 9.3-Pin DMX In Port
- 10.3-Pin DMX Out Port
- 11.Main Fuse Holder
- 12.Power Output
- 13.Digital Display
- 14.Adjustment Button

What's included:



Fresnel LED Light

Barndoor

User Guide

AC Power Cable

3-Pin Male To Female XLR DMX Cable

20A AC Cable Connector