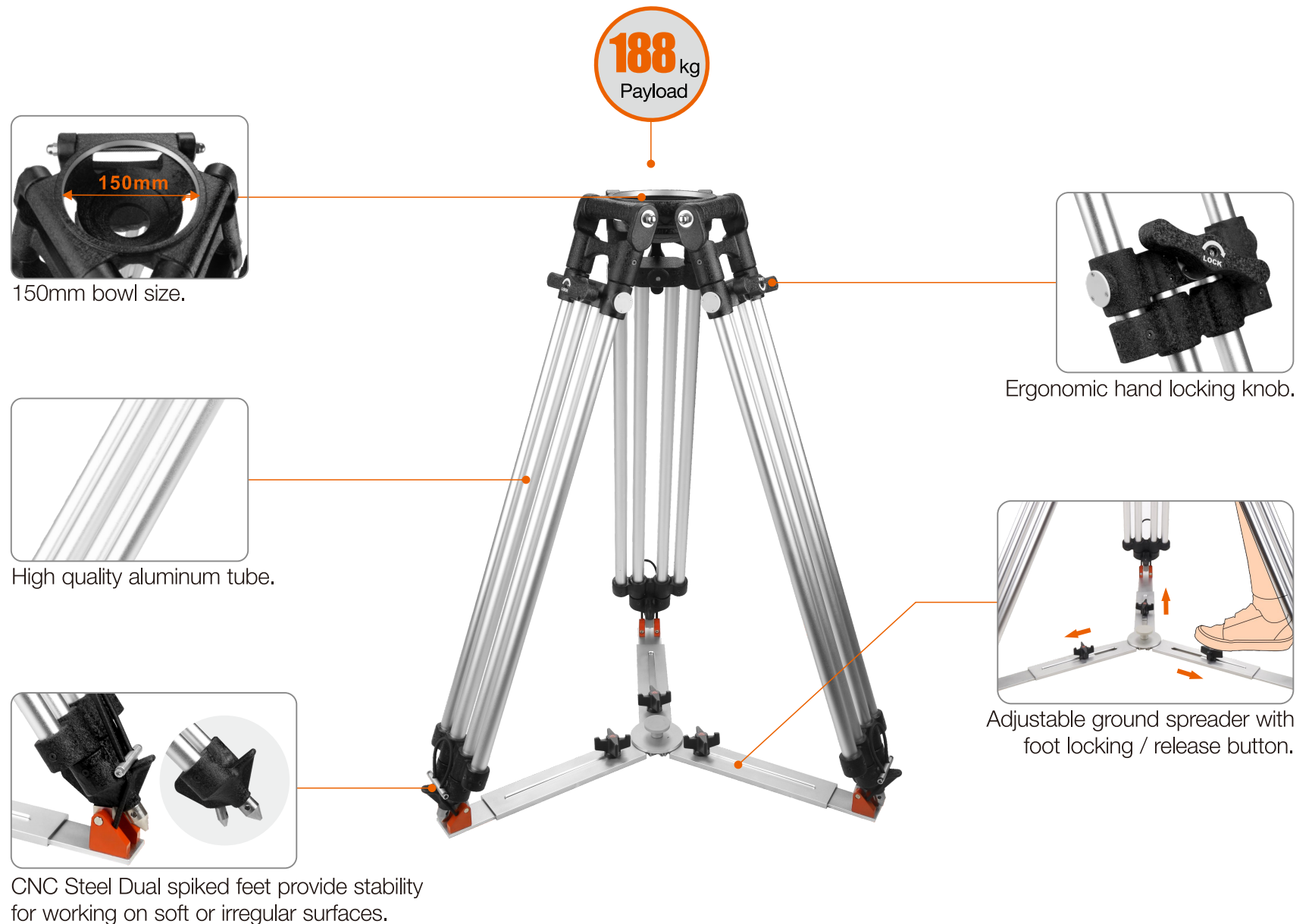


FILM150L 150mm Pro Heavy Duty Tripods

This pro heavy duty tripod is extremely steady and stable, which is specially designed for full studio, video and big film cameras. One-stage aluminum alloy structure and die-cast process provides max.payload up to 188kg. Adjustable metal ground middle is included, make the working height lower.



Specifications:

Payload	188.0kg / 414.5lbs
Height range	88.0-169.2cm / 34.6-66.6in
Transport length	103.0cm / 40.6in
Min.Radius	41.0cm / 16.1in
Max.Radius	63.0cm / 24.8in
Net weight	14.0kg / 24.3lbs
Bowl size	150mm
Sections	2
Material	Aluminum