



The magic life in the image world

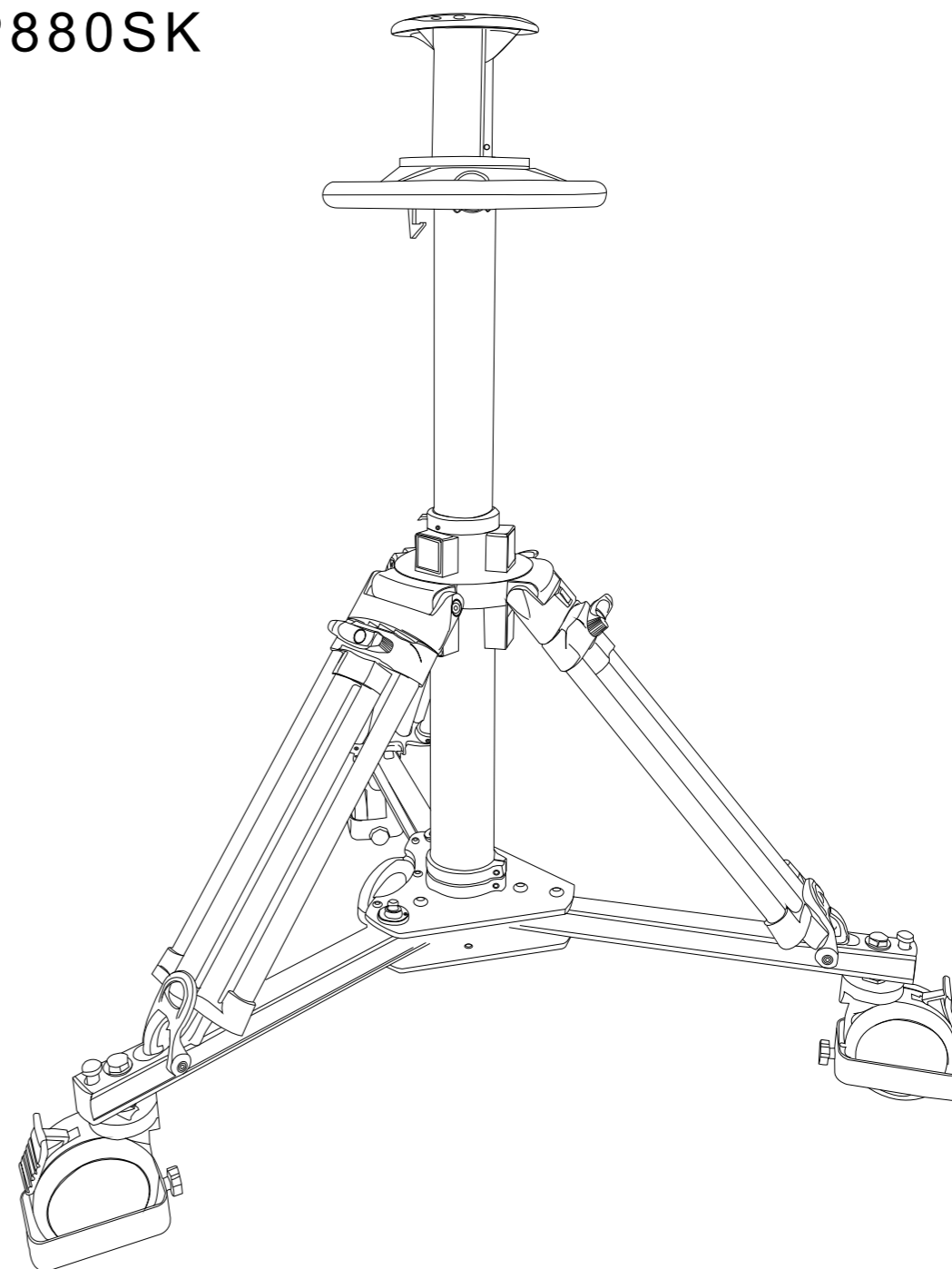
E-IMAGE

Pedestal

升降台

EP880S

EP880SK



www.eimagevideo.com

宁波意美捷影视设备有限公司

地址：宁波镇海骆驼工业区杭甬南路373号

电话：+86-574-86590179/86590061

传真：+86-574-86590078

邮箱：sales@eimagevideo.com

NINGBO EIMAGE STUDIO EQUIPMENT CO., LTD

Add: No.373 South Hangyong Road, Luotuo Industry Zone,
Zhenhai, Ningbo, China

Tel:+86-574-86590031/86590061

Fax:+86-574-86590078

E-mail: sales@eimagevideo.com

www.eimagevideo.com

使用说明书

Operating Manual

目录

安全注意事项

A	部件名称	-----	4~5
B	升降台的设置	-----	6
C	安装云台	-----	7
D	注入空气	-----	8
E	空气释放	-----	9
F	安全锁的操作方法	-----	10
G	升降台高度调整	-----	11
H	延伸柱的安装	-----	12

English

Contents

Safety Notes

A	Part name	-----	4~5
B	Setting up of the pedestal	-----	6
C	Mounting the head	-----	7
D	Air pump operation	-----	8
E	Air releasing	-----	9
F	Safety lock operation	-----	10
G	Adjustment of column height	-----	11
H	Setting up of the extending column	-----	12

警告

如不遵守安全注意事项，就会引起人员受伤。本册记录有预防事故发生的重要注意事项和产品的使用方法。请务必认真阅读此使用说明书。

在完全理解本操作手册的内容基础上，安全正确使用本产品。本产品已给予充分的安全考量，但是错误操作使用，造成损坏，摄像机跌落，引起人员受伤。阅读完毕后，将本册放置于容易找到的场所保管，以便随时参考。

▲ 使用本产品之前，请认真阅读安全注意事项。

▲ 在此所示各注意事项记录相关安全的重要内容，请务必遵守。

安全注意事项

如不遵守以下各项注意事项，可导致人员受伤。

▲ 注入空气时，上部身体和上柱保持距离

当气压超过了相机的重量，上柱可能会突然上升，造成人身伤害或设备损坏。

▲ 一定要锁定安全锁后，才可移除相机

移除相机时，上柱可能会突然上升，由于空气压力的变化，有可能导致人身伤害或人员或设备损坏。

▲ 遵守载重限制

超过承重限制不慎摔落，引起人员受伤，造成器材故障。

▲ 不可分解改造

分解改造可能致使他人受伤，器材故障。发生故障时勿使用，请交销售点或本公司服务人员维修。

使用注意事项

▲ 确保固定安全锁和立柱锁紧旋钮等锁紧并完全固定

如果未锁紧，就可导致脱离脱落，损坏摄像机，引起人员受伤。

▲ 固定安全锁在存放或者运输升降台的过程中，请扣紧固定安全锁

▲ 请使用升降台之前，必须检查气压

在运输中或高温存储的地方，可能会导致柱内气压的膨胀，安全阀会自然的排出和降低空气压力。预期为长的运输或存储时，建议请将空气完全去除。

English

WARNING

Non-observance of the following instructions may lead to personal injury. Read this information first before using this equipment. This manual contains important precautions to avoid accidents, and information for operating the equipment. Make sure you fully understand the contents to use your product in a safe and proper manner. After reading this manual, keep it handy for easy reference whenever necessary. Improper use may cause damages to the equipment or camera, or injuries to persons. Before using the equipment, read the following safety notes to ensure proper operation. For your safety, follow all the precautions and instructions mentioned below.

Safety Notes

▲ Failure to follow these precautions can result in personal injury.

Keep your upper body away from the upper column during air pumping.

▲ When air pressure exceeds the camera weight, the upper column may suddenly rise causing injury or damage to person or equipment.

▲ Make sure to lock the safety lock when removing a camera.

▲ When removing a camera, the upper column may suddenly rise due to the change in air pressure, and can cause injury or damage to person or equipment.

▲ Keep to the load capacity of the equipment.

▲ Exceeding the load capacity may cause the equipment to collapse with resulting personal injury or malfunction.

▲ Do not dismantle or alter the product.

▲ Dismantling or alteration of this product may result in personal injury or malfunction. In case of malfunction, refrain from use, and contact our distributor or service representative for repair information.

Usage Notes

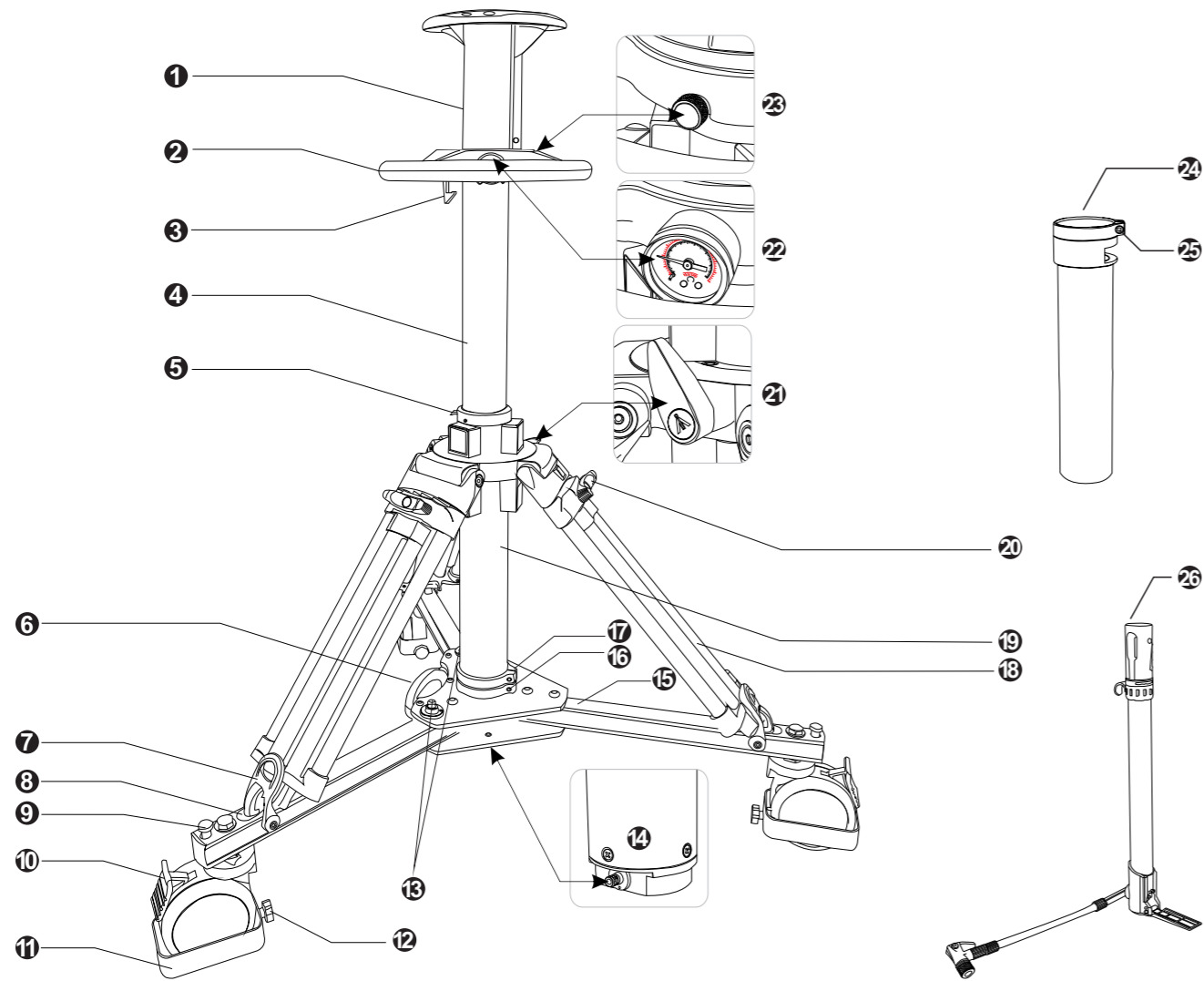
▲ Fasteners such as safety lock and upper column lock lever shall be securely tightened.

If they are not tightened enough, they may get loose or come off, resulting in damage to the camera or personal injury.

▲ Make sure to lock the safety lock when storing or transporting the pedestal.

▲ Make sure to check the air pressure before using the pedestal.

If there is a change in temperature when the pedestal is being transported by a moving vehicle, or being stored under high temperature, the air inside the column expands but the relief valve will automatically reduce the air pressure. It is recommended to remove air completely when transportation or storage is expected to be long.



中文

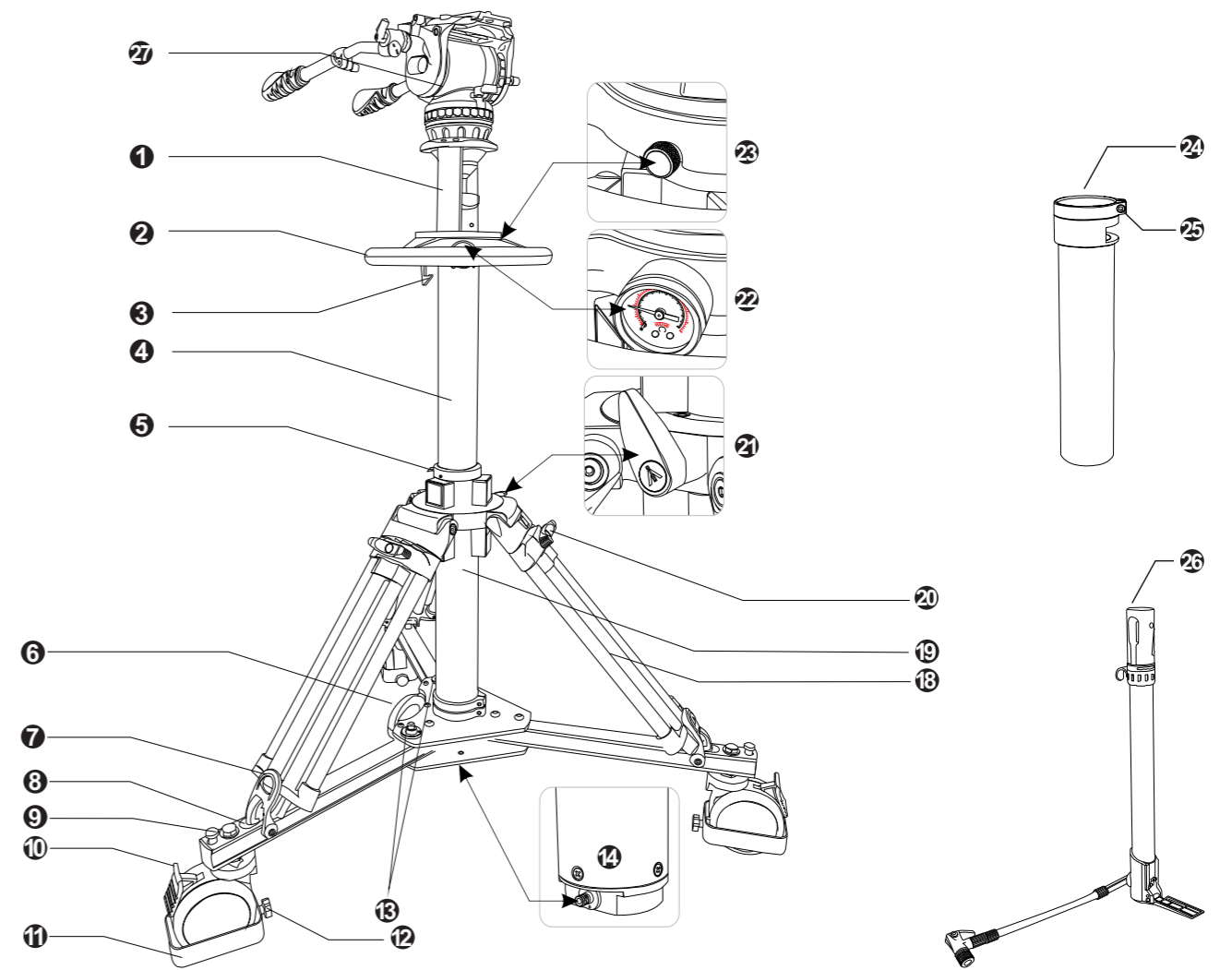
A: 部件名称

1. 碗口立柱
2. 方向盘
3. 安全锁
4. 上柱
5. 安全锁锁扣
6. 滑轮
7. 滑轮挂耳
8. 滑轮角座孔
9. 滑轮角度调节钮
10. 滑轮止动器
11. 挡线器
12. 挡线器调节旋钮
13. 滑轮脚部定位按钮
14. 进气口
15. 滑轮臂
16. 下柱锁紧螺丝
17. 柱部挡块
18. 支脚
19. 下柱
20. 支脚锁紧钮
21. 上柱锁定旋钮
22. 气压表
23. 排气阀
24. 延伸柱
25. 延伸柱锁紧螺丝
26. 打气筒

A: Part Name

1. Head bowl
2. Safety lock
3. Steering wheel
4. Upper column
5. Safety lock latch
6. Dolly
7. Leg setting rubber
8. Brace holder hole
9. Dolly angle adjusting knob
10. Dolly stopper
11. Cable guard
12. Cable guard adjusting knob
13. Dolly leg location button
14. Air inlet
15. Dolly leg
16. Lower column lock knob
17. Column stopper
18. Dolly leg
19. Lower column
20. Leg lock knob
21. Upper column lock knob
22. Air pressure equipment
23. Bleed valve
24. Extending column
25. Extending column lock screw
26. Air pump

English



中文

A: 部件名称

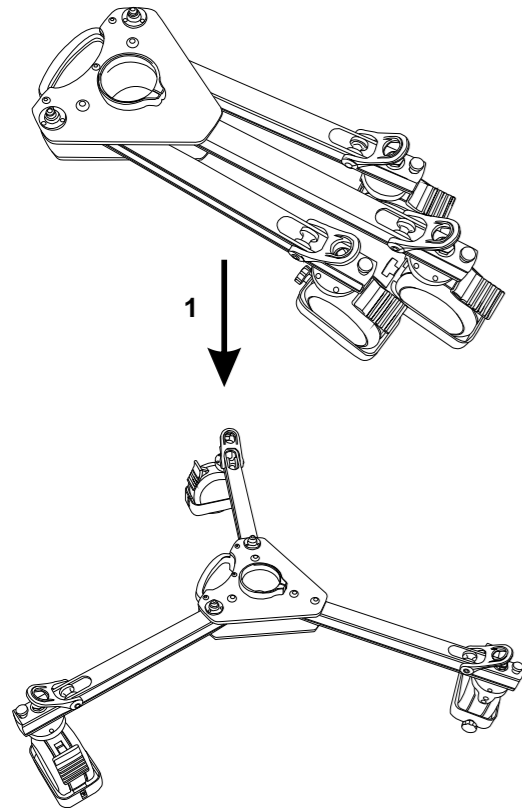
1. 碗口立柱
2. 方向盘
3. 安全锁
4. 上柱
5. 安全锁锁扣
6. 滑轮
7. 滑轮挂耳
8. 滑轮角座孔
9. 滑轮角度调节钮
10. 滑轮止动器
11. 挡线器
12. 挡线器调节旋钮
13. 滑轮脚部定位按钮
14. 进气口
15. 滑轮臂
16. 下柱锁紧螺丝
17. 柱部挡块
18. 支脚
19. 下柱
20. 支脚锁紧钮
21. 上柱锁定旋钮
22. 气压表
23. 排气阀
24. 延伸柱
25. 延伸柱锁紧螺丝
26. 打气筒
27. GH25云台

A: Part Name

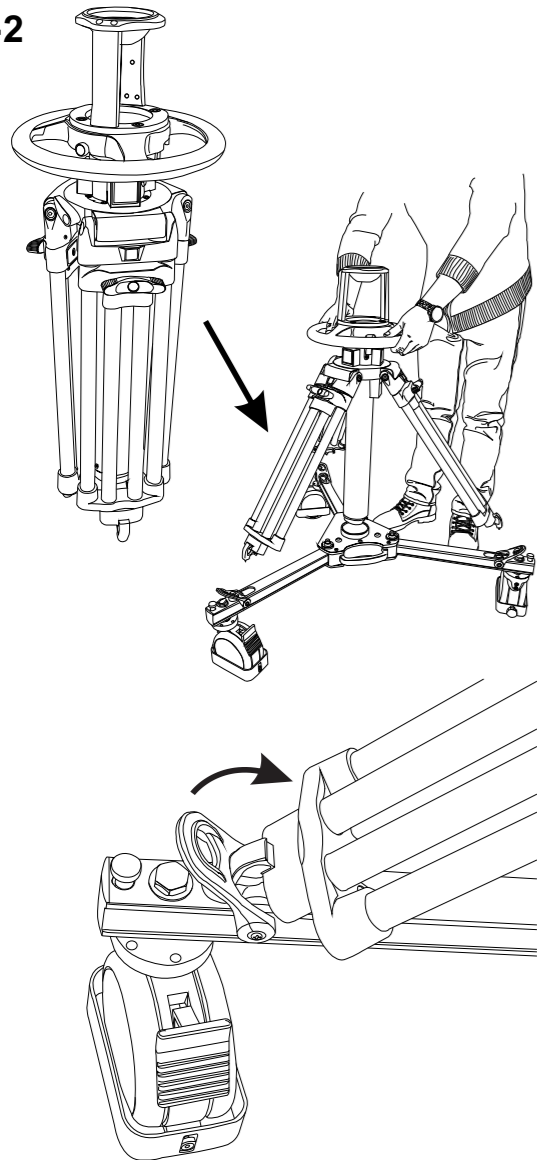
1. Head bowl
2. Safety lock
3. Steering wheel
4. Upper column
5. Safety lock latch
6. Dolly
7. Leg setting rubber
8. Brace holder hole
9. Dolly angle adjusting knob
10. Dolly stopper
11. Cable guard
12. Cable guard adjusting knob
13. Dolly leg location button
14. Air inlet
15. Dolly leg
16. Lower column lock knob
17. Column stopper
18. Dolly leg
19. Lower column
20. Leg lock knob
21. Upper column lock knob
22. Air pressure equipment
23. Bleed valve
24. Extending column
25. Extending column lock screw
26. Air pump
27. GH25 fluid head

English

B-1



B-2

**B: 升降台的安装****B-1: 滑轮的安装**

1. 将滑轮从箱子中取出，扳开侧面两个支角，直到滑轮定位按钮落锁。

B-2: 将升降台安装在滑轮上

2. 将升降台从箱子中取出
3. 将3个支脚打开，把主柱插入滑轮车的中心孔，直到它停止在柱部挡块
4. 将每根脚管的铁尖安置在滑轮孔中，并挂上拉耳，固定住脚管。
5. 锁紧下柱锁紧螺丝（用L形扳手）。

English

B: Setting up of the Pedestal**B-1: Setting up of the dolly**

1. Take out the dolly from box, spreader side two legs until location buttons fall down.

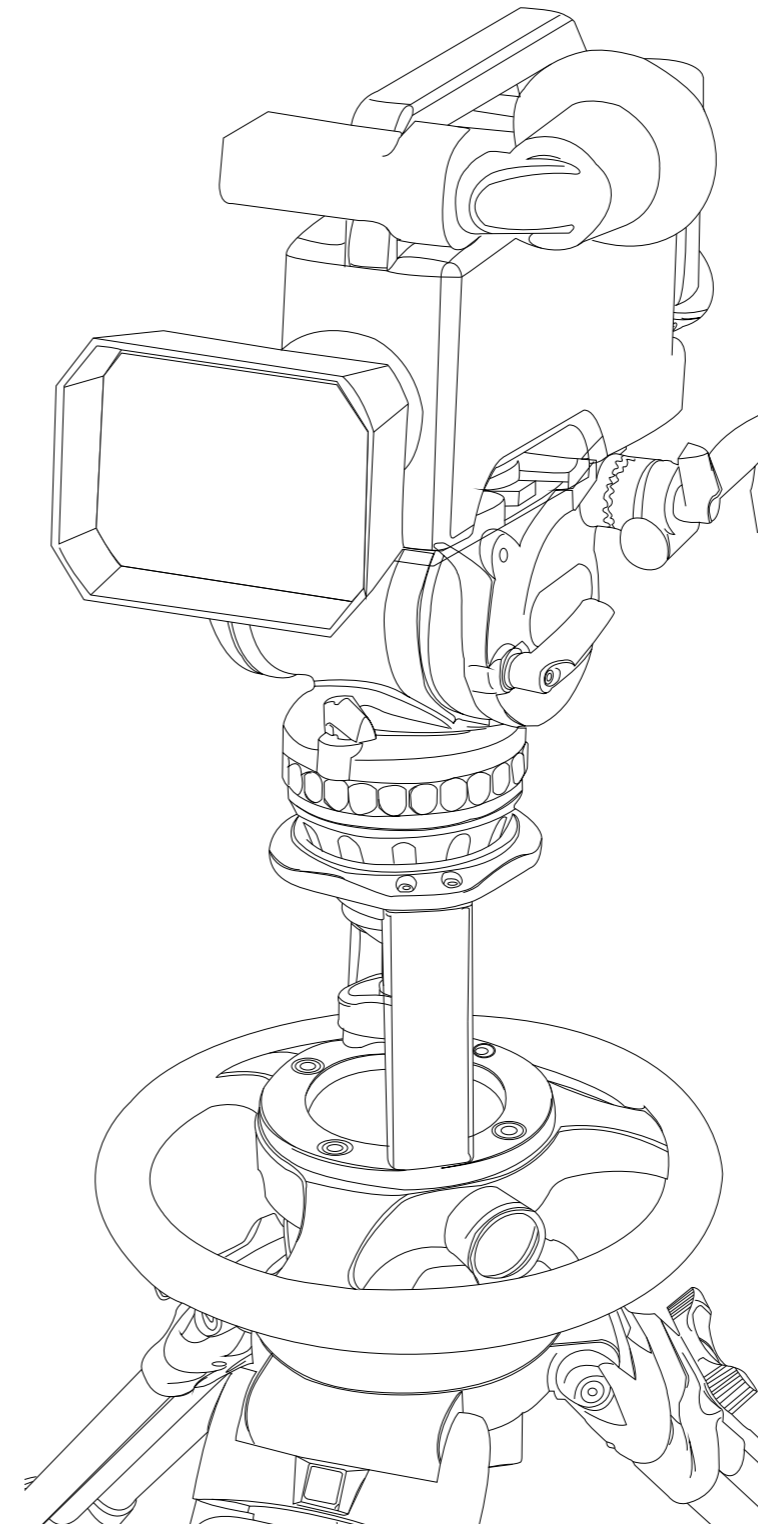
B-2: Setting Pedestal on the dolly

2. Take out the Pedestal from the box.
3. Spread the three legs, insert the lower column into the central hole of dolly, until it stops at column stopper.
4. Insert the 3 spike feet into the hole of dolly brace holder, pull the leg rubber holder. Securely fasten the rubbers to lock the leg in place.
5. Make sure to completely lock the lower column lock lever.

C: 云台的安装

将100mm云台安装在碗口立柱上，如同三脚架一样，将水平调整好后，用锁紧手钮固定住云台。
另外，用通常安装的方式将摄像机安装在云台上。

1. 此碗口立柱为100mm 碗口直径;
2. 云台具体的水平调整和使用，请参阅云台的组装和操作。



English

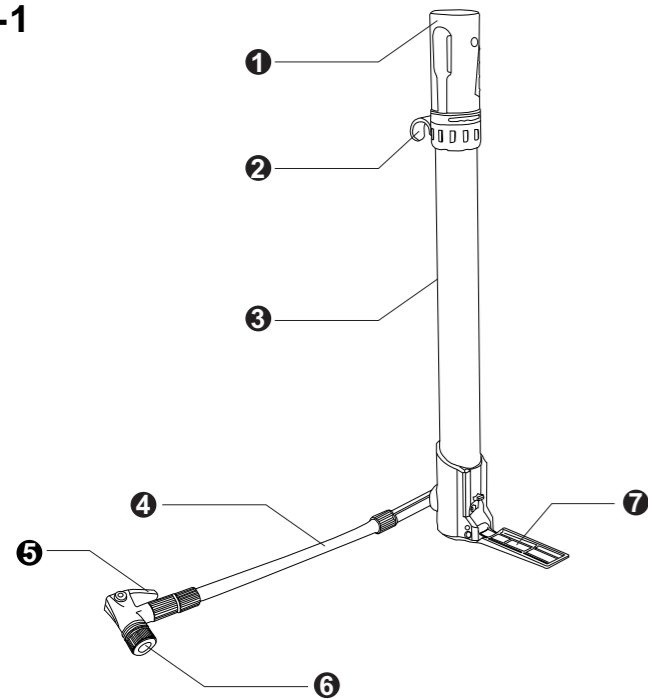
C: Setting of the fluid head

Put the head on the Head bowl, secure the locking knob after adjusting the head into level according to same way as putting head on the tripod.

Then put the camera on the head in the same way as camera is usually mounted on the head.

1. The head bowl allows 100mm bowl heads.
2. Refer to the instructions of the head for adjusting the leveling and mounting the camera.

D-1



D: 注入空气

D-1: 打气筒的详细描述

1. 手柄
2. 软管挂钩
3. 气筒
4. 软管
5. 喷嘴固定扳扣
6. 喷嘴
7. 地面稳定踏板

中文

D-2: 注入空气

8. 将手柄任意旋一角度，使其弹出
9. 将喷嘴充分插入到下柱底部的进气口。
10. 扳上扳扣，确保其固定住进气口
11. 将立柱锁紧钮和安全锁解锁，并且排气阀处于关闭状态
12. 用打气筒注入空气。在此过程中，可以使其稳定在地面上，通过踩住地面稳定踏板。
13. 通过调节排气阀释放压力使相机重量和空气压力处于平衡状态。
14. 扳开喷嘴扳扣，从进气口取下。
*也可以直接用电动空气泵直接充气，步骤同上。

English

D: Air Pump operation

D-1: Description of air pump

1. Handle
2. Hose hanger
3. Cylinder
4. Hose
5. Nozzle lock lever
6. Nozzle
7. Ground spreader

English

D-2: Air pump operation

8. Twist the handle in any angle until it is released.
9. Insert the pump nozzle fully into the air inlet.
10. Pull up the nozzle lock lever, make sure to securely fix the nozzle
11. Loose the colum lock knob and safty lock, close the Bleed valve.
12. Pour the air by pumping the air pump.
The air pump shall be stable on the floor while pumping air, by placing your foot on the ground spreader.
13. Make the camera weight and air pressure into balance according to operation of bleed valve.
14. Pull down the nozzle lock knob ,and take out the nozzle.
* Electronic pump is also avaiable for pumping air. Same steps as above.

E: 空气释放

- 1) 当注入过多的空气时，气压会使相机的重量失去平衡；
 - 2) 存储过程中；
 - 3) 运输过程中；
- 在上述三个状态下，需要松开排气阀使气压释放。

1. 松开排气阀将气压释放。
2. 空气释放后，拧紧阀门，直到它不再转为止

- 如果没有正确拧紧，空气会从阀门泄漏。
- 除了释放空气以外请勿触排气阀。
- 如果要将所有的空气通过排气阀解放的时候，首先必须确保上柱完全降低，安全锁处于锁定状态。
- 如果上柱不降低而释放空气时，上柱可能会突然坠落，造成人身伤害。

English

E: Releasing air

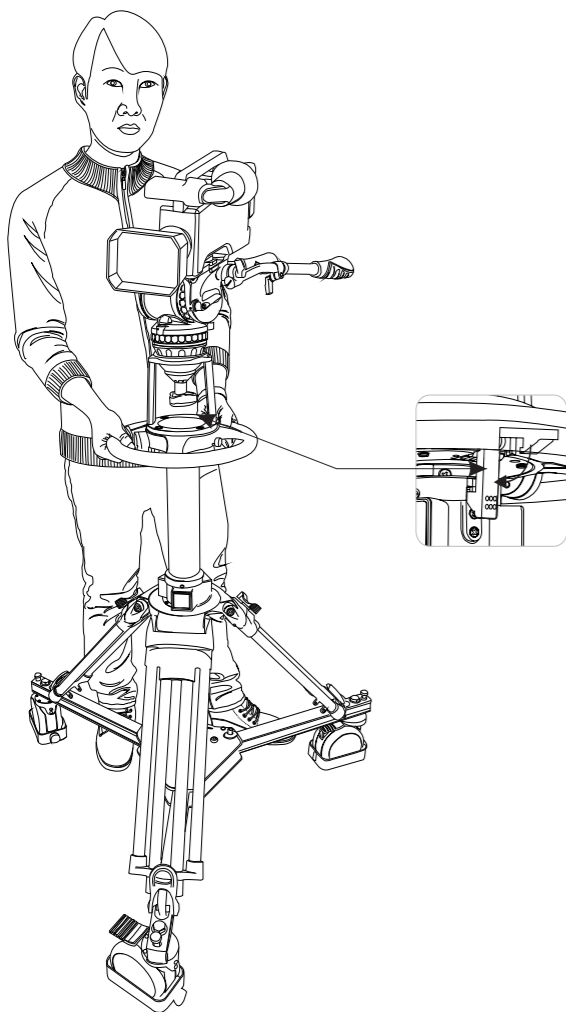
- 1) When pouring too much air and the air pressure is not balanced to the camera weight;
 - 2) When the air needs to be completely released for storing
 - 3) When the air needs to be completely released for transporting.
- Under the above three circumstance,the air can be removed by loosening the bleed valve.

1. Loose bleed valve, release the pressure.
2. Tighten the valve until it not turn anymore after air is released.

Pay attention:

- Air may leak out from the valve if valve is not properly tightened.
- Do not touch the valve except releasing air.
- If releasing all air through the bleed valve, please make sure that the upper column is fully lowered and safely lock is locked.
- If releasing air but without lower the upper column, it maybe fall down suddly and causing personal injury.

F-1

**F: 安全锁的操作方法****F-1: 锁定安全锁：**

握住方向盘，用你的体重把上柱推到底部，把安全挂钩和安全锁的锁扣扣上。

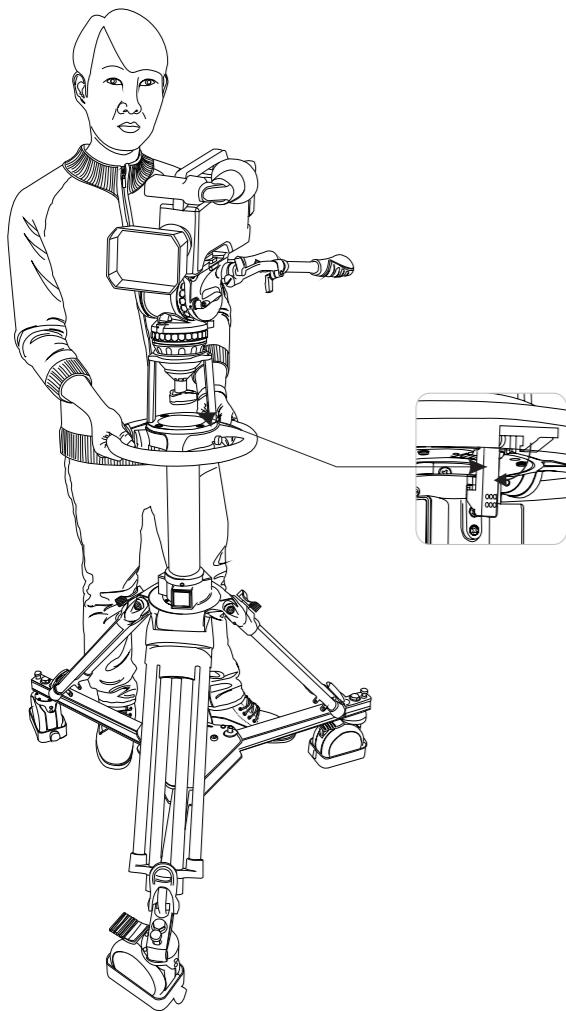
- 请务必检查安全锁已固定。

F-2: 解锁安全锁

握住方向盘，将你的体重把升降台往下压，才可以将安全锁和安全锁扣解开。

- 如果有压力的状态下没有安装摄像机，上柱可能会突然上升，会造成人身伤害或设备损害。
- 手放开方向盘时要小心。

F-2

**English****F: Operation of safety lock****F-1: Lock the safety lock**

Hold the steering wheel, push down the upper column to the bottom by adding your body weight. Push the safety lock downward, and secure by hooking it on the safety lock latch.

- Make sure to check the locking lock is secured.

F-2: Release the safety lock

Hold the steering wheel, press down the pedestal by adding your body weight, until releasing the safety lock from safety latch.

- If air pressure remains when camera not being mounted, the upper column may rise suddenly causing injury or damage to person or equipment.
- Be careful when releasing hands from the steering wheel.

G: 升降台高度调整**上柱的高度调整**

1. 立柱锁定钮解锁
 2. 调整上柱到所需的高度，锁定立柱锁定钮。
- 装上相机后，而需要解锁立柱锁定钮时，请握住方向盘才能小心放手。

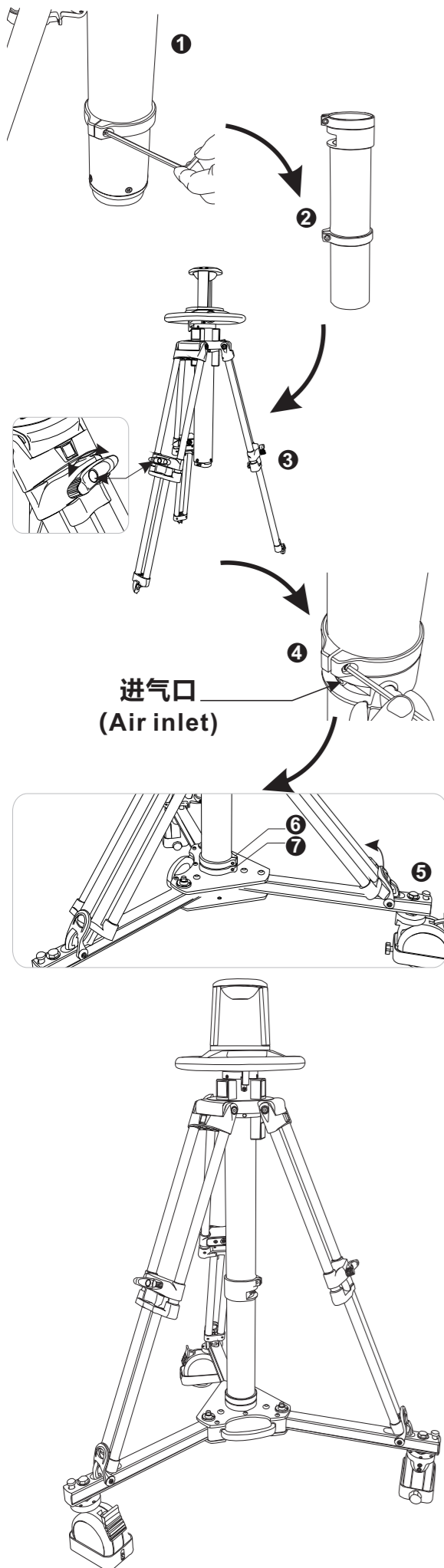
English**G: Adjustment of pedestal height****Adjustment of upper column height**

1. Unlock the column lock knob.
 2. Adjust the upper column to your requested height, then lock the column lock knob
- Please hold the steering wheel and carefully unlock the column lock knob while the camera is mounted on.

H: 附加功能：延伸柱的安装

意美捷提供附加的延伸管帮助客户达到所需的工作高度

1. 松开柱部挡块锁紧螺丝，从原下柱上取出柱部挡块，
2. 将柱部挡块套在在延伸柱下端
3. 打开支脚锁紧钮，把脚部伸至最高，然后锁紧。
3. 将延伸柱上端插入升降台的原下柱中，缺口对牢进气口，然后锁紧延伸柱螺丝。
4. 把主柱插入滑轮车的中心孔，将每根脚管的铁尖放入滑轮角座孔中，并挂上拉耳，固定住脚管。
6. 将柱部挡块下推到底，并锁紧柱部挡块。
7. 锁紧下柱锁紧螺丝（用L形扳手）。



English

H: Extra function: Setting up of the extending column

EIMAGE supply a extra extending column to help customer get higher operation height(max.175cm)

1. Loose the column stop screw, remove the column stoper from lower column.
2. Install the column stop on the bottom end of extending column.
3. Insert the extending column into the central hole of dolly, until it stops at column stopper.
4. Open each leg locking knob and extend the leg to the max. length, then lock knobs.
5. Put the pedestal on the dolly, insert the original lower column into the extending column, make sure the air inlet is exposed.
6. Put the metal end part on the dolly brace holder, pull the leg rubber holder. Securely fasten the rubbers to lock the column in place.
7. Make sure to completely lock the lower column lock lever.

Memo

Memo
